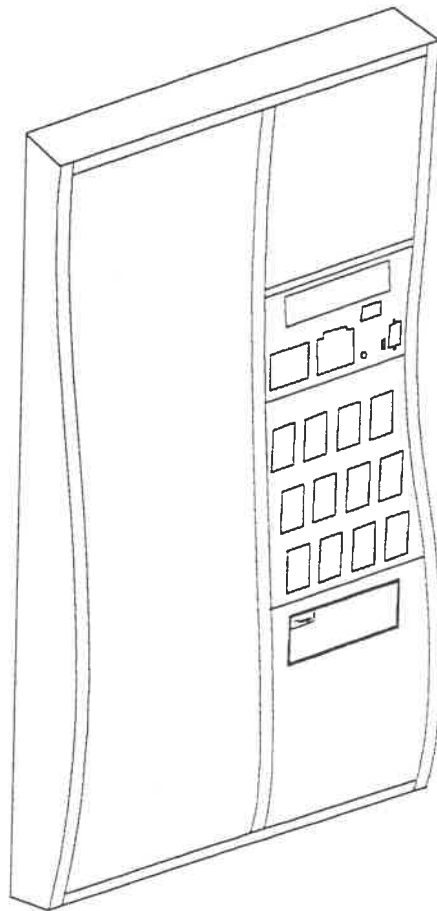


DIXIE-NARCO, INC.

Coca-Cola Marketing Machine Parts

Beginning Serial Number 0001-6501BW
June 1998



*Chad Paint
803 701 6700 Gallow
803 710 8800 Averisol
Custom Avisol
972-346-2700
Jim Galinsky
Fesro*



Dixie-Narco, Inc.
Dixie-Narco Blvd.
P.O. Drawer 719
Williston, SC 29853-0719

Revised: ~~1998~~ ¹⁹⁹⁹ October 25, 1999

Table of Contents

Main Door Exterior.....Page 4

Main Door Interior.....Page 7

Pull Out Handle & Coin Insert.....Page 10

Select Panel / Coin Insert Panel.....Page 12

Lighting.....Page 15

Wiring Harness.....Page 17

Inner Door.....Page 18

Two-Bar Linkage / Nut Retainer Housing.....Page 20

Hinges and Roller Assembly.....Page 22

Cabinet Interior.....Page 23

Cabinet and Vend Mechanism.....Page 27

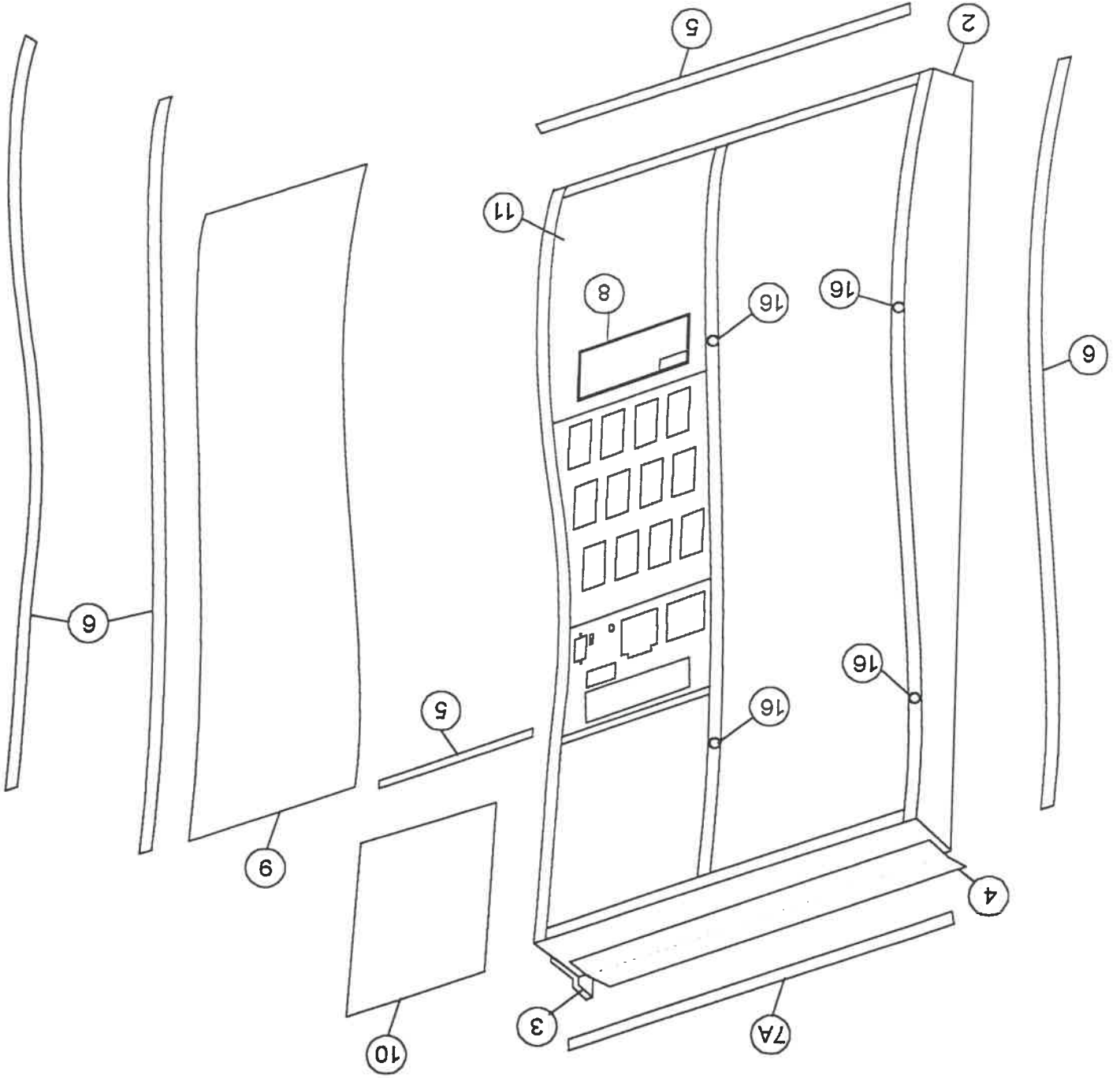
Refrigeration System.....Page 31

Electronic Components.....Page 35

Screws and Nuts.....Page 38

Washers, Bolts, and Miscellaneous Hardware.....Page 40

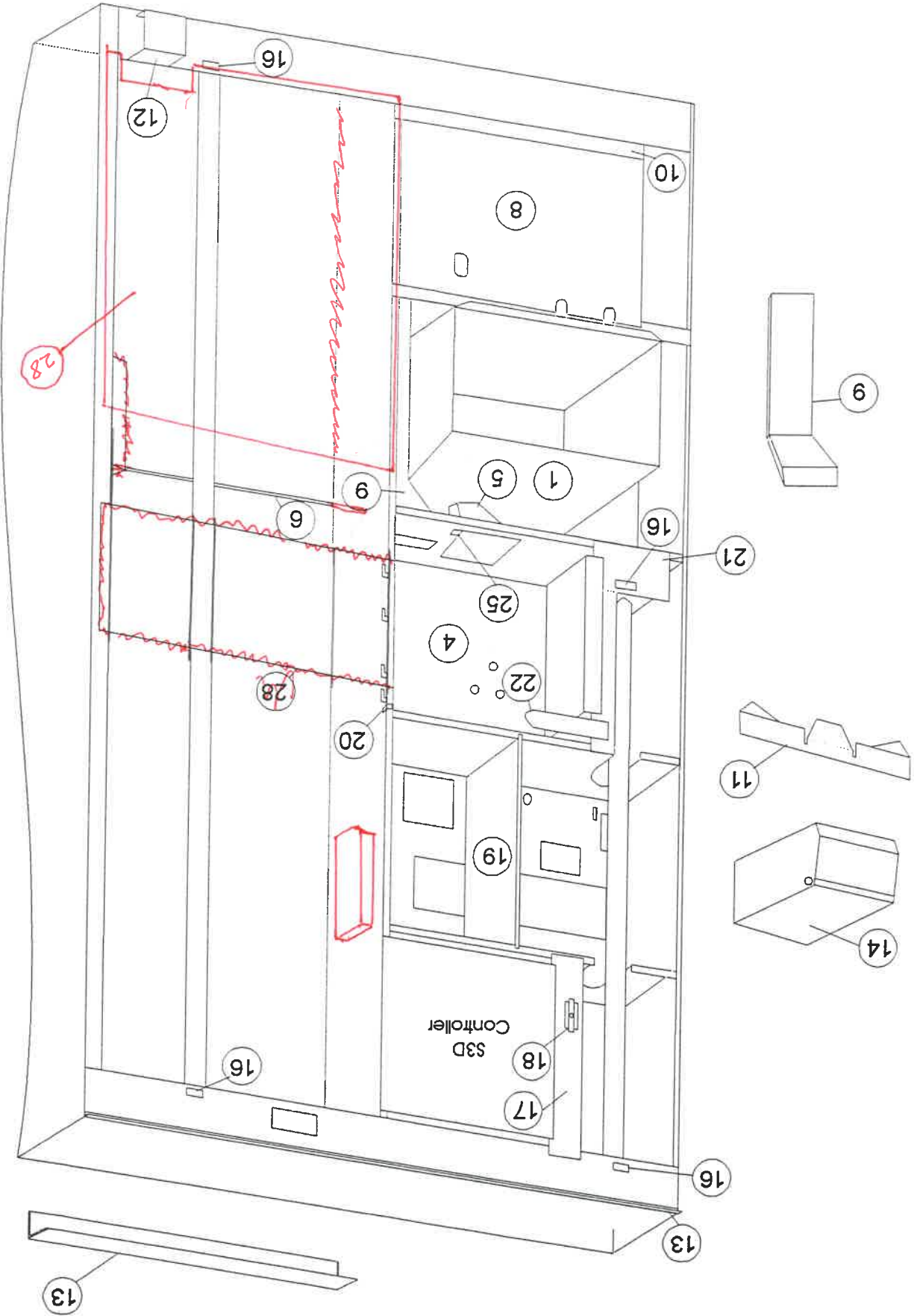
*Find Serial #
803 600 89011*



MAIN DOOR EXTERIOR

ITEM #	DESCRIPTION	PART NUMBER
1	Coke Marketing Machine, Door Assy.	
	72" Wide -13 S3D	624,053,30x.x3
	72" Narrow -13 S3D	624,053,50x.x3
	79" Wide -13 S3D	624,053,00x.x3
	72" Wide -9 S2D	624,053,20x.x3
	72" Narrow -9 S2D	624,053,40x.x3
	79" Wide -9 S2D	624,053,10x.x3
2	Coke Marketing Machine, Door Weld Assy.	
	72" Wide	624,050,10x.x3
	72" Narrow	624,050,20x.x3
	79" Wide	624,050,00x.x3
3	Protective Plate Door <i>Kid</i>	
	72" Wide / Narrow	165,150,33x.x3
	79"	164,150,33x.x3
	Rain Guard <i>Kid</i>	164,150,33x.x3
4	72" and 79" Wide	164,151,14x.x3
	72" Narrow	169,050,34x.x3
5	Horizontal Trim	
	Bottom, Wide	801,810,65x.x1
	Bottom, Narrow	801,810,65x.x1
	Control Panel, Wide	801,810,65x.x1
	Control Panel, Narrow	801,810,65x.x1
6	Vertical Trim	
	Left and Right	801,812,13x.x1
	Center	801,810,64x.x1
7A	Hinged Top Sign Trim Assy.	
	72W, 72N, 79W	801,810,87x.x1
7B	Top Sign Trim Locking Bar	
	W/A Port Trim Spacer	801,810,86x.x1
8	Port Trim	
8A	Port Trim	
	Port Spacer	805,700,95x.x1
9	Sign (Full Length)	
	72" Wide Bottle Domestic	805,025,06x.x1
	72" Narrow Bottle Domestic	805,025,07x.x1
	79" Wide Bottle Domestic	805,025,05x.x1
	72" Wide Can Domestic	805,025,44x.x1
	72" Narrow Can Domestic	805,025,45x.x1
	79" Wide Can Domestic	805,025,43x.x1
	72" Narrow Can Export	805,026,52x.x1
	72" Wide Bottle Export	805,026,53x.x1

ITEM #	DESCRIPTION	PART NUMBER
10	Advertise Window 72" Wide and 72" Narrow	805,025,32x.x1
	79" Wide	805,025,31x.x1
11	Port Panel	
	Wide / Narrow	624,050,53x.x3
12	Hinges, Main Door	
	Assy, Top	624,052,90x.x3
	Assy, Bottom	801,305,13x.x1
13	Advertise Window Card	<i>domstc. 803 859 34x.x1</i>
	Decal, Port Panel	<i>66641 803 859 37x.x1</i>
14	Decal, Port Panel	803,853,88x.x1
15	Decals	
	Right Side Door 72"	803,853,89x.x1
	Right Side Door 79"	803,853,92x.x1
	Left Side Door 72"	803,853,91x.x1
	Left Side Door 79"	803,853,93x.x1
	Vandal Panel Door 72"	803,853,94x.x1
	Vandal Panel Door 79"	803,853,95x.x1
	Protective Plate Left Side Cabinet 72"	803,853,96x.x1
	Protective Plate Left Side Cabinet 79"	803,853,97x.x1
	Protective Plate Right Side Cabinet 72"	803,853,98x.x1
	Protective Plate Right Side Cabinet 79"	803,853,99x.x1
16	Christmas Tree Clip	800,902,48x.x1
A4	Screw, Phil Pan w/out Washer #8-18x1/2"	900,301,50x.x1
B2	Keps Nut 1/2-20	900,800,67x.x1
B3	Keps Nut #8-32	900,800,50x.x1
B7	Elastic Stop Nut #8-32	900,800,51x.x1
B10	Hex Nut, Center w/ Flange 5/16-18 (top hinge - drop in)	900,801,02x.x1
D2	T-Bolt #8-32x1 3/8"	900,400,41x.x1
D3	T-Bolt #8-32x3/4"	900,400,35x.x1
D4	T-Bolt #8-32x1/2"	900,400,45x.x1
E4	Carriage Bolt 1/2-20x1/2"	900,201,45x.x1
E8	Carriage Bolt 5/16-18x1-1/4 (top hinge - drop in)	900,201,85x.x1
F5	Pop Rivet, Steel (Zinc Plated) 1/8"	901,100,61x.x1
H1	Christmas Tree Clip, #354280307-00	900,902,13x.x1
	<i>All Panel 17" minimum clip (6614 top)</i>	<i>801 305 75001</i>



MAIN DOOR INTERIOR

ITEM #	DESCRIPTION	PART NUMBER
--------	-------------	-------------

1	Delivery Port (Large Port)	
---	----------------------------	--

2	Delivery Port Spacer (Large Port)	
---	-----------------------------------	--

	W/A Trim Spacer	
--	-----------------	--

	Right Side + Left Side	594 050 96 X 3
--	------------------------	----------------

	Left Side	624,050,64X.X3
--	-----------	----------------

3	Port Stiffener	624,050,63X.X3
---	----------------	---------------------------

	Wide / Narrow	
--	---------------	--

4A	Access Door (prior to 6506AX)	624,050,03X.X3
----	-------------------------------	----------------

	Wide / Narrow	
--	---------------	--

4B	Access Door (hinged) (001-6506AX and higher)	805,700,89X.X1
----	--	----------------

	Wide / Narrow	
--	---------------	--

5	Hopper, Weld Assy.	805,701,12X.X1
---	--------------------	----------------

	Top	
--	-----	--

6A	Door Rod	624,054,60X.X3
----	----------	----------------

	Wide	
--	------	--

6B	Door Rod Stiffener	801,401,83X.X1
----	--------------------	----------------

	Narrow	
--	--------	--

	Wide	
--	------	--

	Narrow	
--	--------	--

7	Door Hinge	624,050,94X.X3
---	------------	----------------

	Top	
--	-----	--

	Bottom	801,305,14X.X1
--	--------	----------------

	Bottom	801,305,13X.X1
--	--------	----------------

8	Cash Box W/A	624,052,80X.X3
---	--------------	----------------

9	Cash Box Coin Chute Assy. 98,044-212	624 056 9000 3000 + High
---	--------------------------------------	--------------------------

	Cash Box Shelf	
--	----------------	--

10	Cash Box Shelf	624,052,70X.X3
----	----------------	----------------

	Wide	
--	------	--

11	Closure Strip	805,700,66X.X1
----	---------------	----------------

	Wide / Narrow High Security	614 050 09 X X 3
--	-----------------------------	------------------

	Wide / Narrow Standard	609 050 14 X X 3
--	------------------------	------------------

12	Cover, Wire Plug	
----	------------------	--

	Wide / Narrow	
--	---------------	--

13	"L" Profile Gasket	624,050,67X.X3
----	--------------------	----------------

	Wide	
--	------	--

	Narrow	
--	--------	--

14	Assy., Coin Return Cup	624,052,30X.X3
----	------------------------	----------------

	Wide / Narrow - Red, English	624 055 80 X X 3
--	------------------------------	------------------

	Wide / Narrow - Black, English	
--	--------------------------------	--

15A	Weld Assy. Coin Return Cup	
-----	----------------------------	--

	Wide	
--	------	--

15B	Coin Return Cup Door	624,050,30X.X3
-----	----------------------	----------------

	Lamp Bracket	801,810,75X.X1
--	--------------	----------------

16	Lamp Bracket	
----	--------------	--

	Wide / Narrow	
--	---------------	--

17	S3D Mounting Bracket	624,050,39X.X3
----	----------------------	----------------

	72" Wide / Narrow	
--	-------------------	--

	79" Wide	
--	----------	--

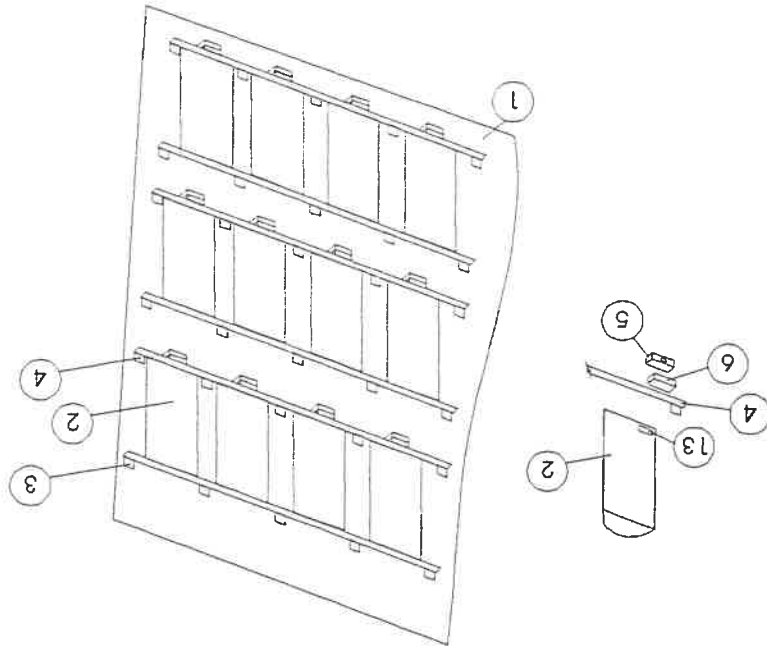
14	Wide / Narrow - Red, French	624 055 90 X X 3
----	-----------------------------	------------------

	Wide / Narrow - Red, Spanish	624 056 00 X X 3
--	------------------------------	------------------

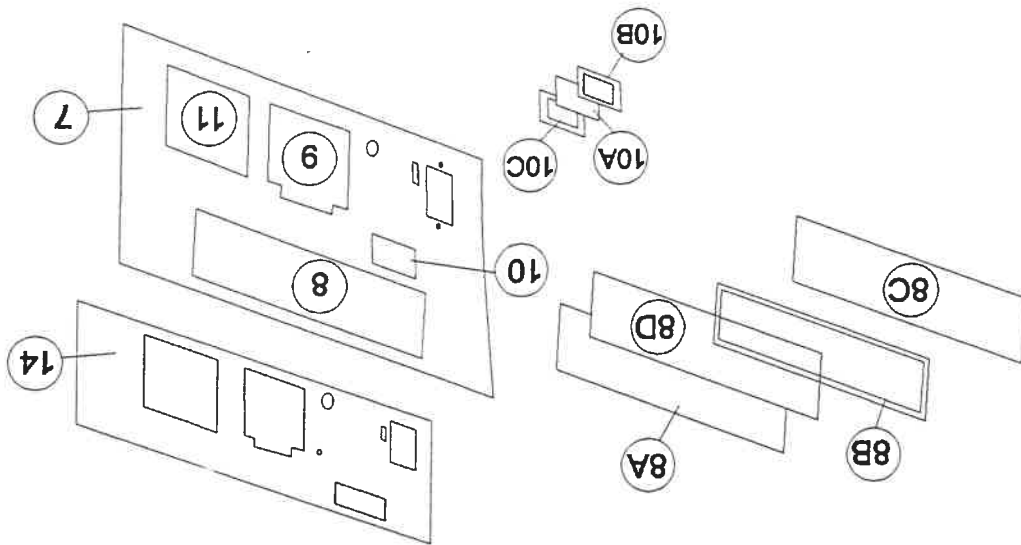
ITEM #	DESCRIPTION	PART NUMBER
18	Bracket, Door Switch	
	Wide / Narrow	
19	Bill Validator Guard	604,051,28xX3
	Wide / Narrow	
20	Access Door Anti Vandal Bracket	805,700,98xX1
	Wide / Narrow	
	Access Door Jamb	805,701,02xX1
21	Wide / Narrow	
	Access Door Jamb	805,701,02xX1
22	Wide / Narrow (prior to 6506AX)	805,700,97xX1
	Wide / Narrow (0001-6506AX and higher)	805,701,09xX1
	Coin Chute Bracket	805,701,01xX1
23	Standoff	805,701,01xX1
	.192x.312x.312	
24	Push Nut, Acorn Type	901,001,46xX1
25	Hopper Strap	900,902,37xX1
26	Access Door Hinge (0001-6506AX and higher)	624,050,79xX1
	Top	
	Bottom	624,054,10xX3
27	Access Door Latch	624,054,20xX3
28	Door Stiffener	801,304,53xX1
	Wide	
	Narrow	624,050,97xX3
A4	Screw, Phil Pan w/out washer #8-18x1/2"	900,301,50xX1
A5	Screw, Phil Pan Swage Form #8-32x3/8"	900,301,80xX1
A9	Screw, Phil Pan Swage Form #8-32x3/8" (prior to 1970-6462)	900,301,56xX1
A11	Screw, Phil Pan Sems #8-32x1/2" (s/n 1970-6462 & higher)	900,301,97xX1
A15	Screw, Machine Truss #10-32x1/2"	900,201,14xX1
A16	Screw, Phil Pan Sems w/washer #8-18x1/2"	900,301,65xX1
A20	Screw, Machine Phil Pan #8-32x1/2"	900,201,22xX1
B1	Keps Nut #10-32	900,800,65xX1
B2	Keps Nut #1/2-20	900,800,67xX1
B3	Keps Nut #8-32	900,800,50xX1
B7	Elastic Stop Nut #8-32	900,800,51xX1
C12	Nylon Spacer (prior to 1970-6462)	801,902,48xX1
E2	Carrage Bolt 1/2x20x1	
E4	Carrage Bolt 1/4-20x1/2"	900,201,17xX1
E5	Carrage Bolt 1/4-20x3/8"	900,201,45xX1
	Carrage Bolt 1/4-20x1/2 Red	900,202,04xX1
F5	Pop Rivet, Steel (Zinc Plated) 1/8"	901,100,61xX1
	Nylon Spacer	
	Wire Tie, 4"	801,902,48xX1
258	Bill Validator Guard	624,054,60xX3

Part Numbers Subject To Change Without Notice

SELECT PANEL



COIN INSERT PANEL

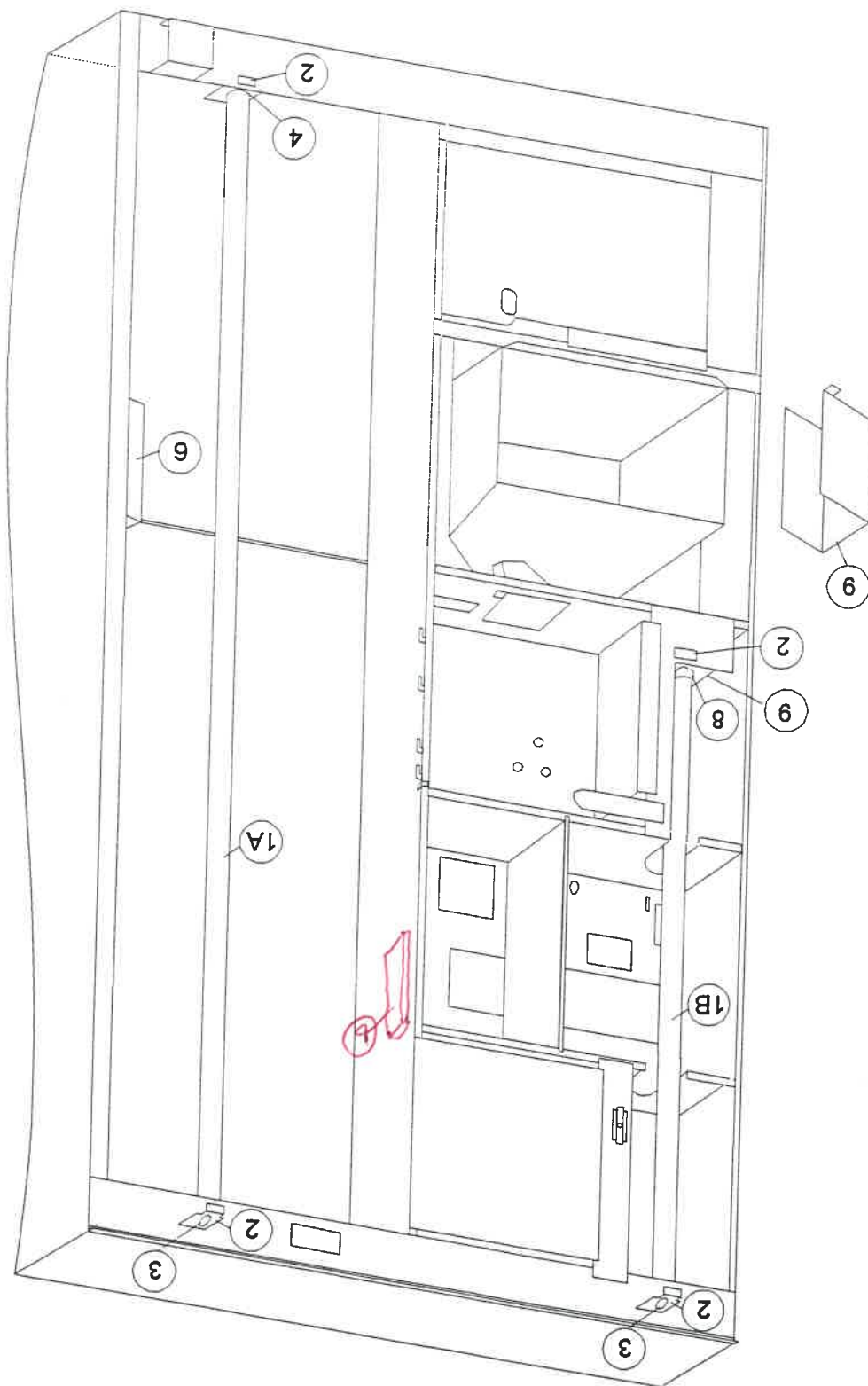


SELECT PANEL / COIN INSERT PANEL

Deal select panel black cc quantity 80387361x1

ITEM #	DESCRIPTION	PART NUMBER
1A	Select Panel Assy.	624,051,80x.x3
	12 Select	624,051,90x.x3
	8 Select	624,051,10x.x3
1B	Select Panel Stud Assy.	624,052,00x.x3
	12 Select	624,052,10x.x3
	8 Select	624,052,10x.x3
2	Select Button Assy.	624,010,20x.x4
	2036-6555 + higher	80181062x1
3	Select Button Retainer	624,050,12x.x3
	.063x1 ⁹ / ₁₆ x14 ¹³ / ₁₆	
4	Select Button Stop	805,700,58x.x1
	.063x2.301x14.813	
5	Select Switch S11D	804,100,74x.x1
6	Switch Insulator	801,812,17x.x1
	Single Price - Natural Color	801,805,92x.x1
7	Stud & Coin Insert Panel Weld Assembly	624,051,30x.x3
	Domestic	624,051,00x.x3
	Export	624,051,00x.x3
8A	POS Window Lens	801,810,69x.x1
8B	POS Window Gasket	802,001,29x.x1
8C	POS Window Backup Plate	624,050,48x.x3
	.045x5.422x13.332	
8D	Coin Insert POS Card	803,853,87x.x1
	Thirsty	
	Feature Button	624,050,58x.x3
	Retainer, Feature Button	805,700,94x.x1
	Stop, Feature Button	624,054,70x.x3
	Card Reader Mounting Plate Assy.	624,054,80x.x3
	Filler Plate Assy.	624,051,60x.x3
	Feature Button Assy.	624,051,60x.x3
10A	Display Lens	801,810,67x.x1
10B	Display Lens Gasket	802,001,28x.x1
10C	Display Visibility Gasket	802,001,31x.x1
11A	Validator Filler Plate	624,050,93x.x3
	Card Reader Mounting Plate	624,054,70x.x3
7x	Coin insert panel (kit) coin insert panel, Feature button Assy, out. detector filler plate, gasket, display Assy, push button coin return Assy, coin insert panel Assy.	624,050,xx4
	coin insert label - don't affix	80385385x1

ITEM #	DESCRIPTION	PART NUMBER
11B	Validator Filler Plate Gasket	902,001,02x.x1
11C	Spacer, Bill Validator	624,050,84x.x3
11D	Bill Validator Spacer Gasket	902,001,11x.x1
12	Coin Insert Label S3D	803,853,85x.x1
13	Adhesive Backed Foam Tape	803,600,91x.x1
14	Label, Coin Insert Panel	803,853,85x.x1
A6	Screw, Phill Pan #4-24x $\frac{3}{4}$	900,300,47x.x1
B2	Keys Nut $\frac{1}{4}$ -20	900,800,67x.x1
B3	Keys Nut 8-32	900,800,50x.x1
11E	Bill validator guard	80578098xx1
11F	Bill validator guard extension	80570128xx1



LIGHTING

ITEM #	DESCRIPTION	PART NUMBER
1	Fluorescent Bulb	
1A	F64T12/D H/O (72")	804,700,37x.x1
	F72T12/D H/O (79")	804,700,36x.x1
1B	F42T12D H/O (72")	804,700,64x.x1
	F48T H/O (79")	804,700,39x.x1
1C	48" T8 Metric Philips TLD 36W/840 NG (export)	804,700,66x.x1
	60" T8 Metric Philips TLD 58W/840 NG (export)	804,700,67x.x1
	72" T8 Metric Philips TLD 70W/840 NG (export)	804,700,68x.x1
2	Door Bracket, Lamp Socket	
	110V (.045 x 2.684 x 2.985) - 4 per	624,050,39x.x3
	220 / 50 (.045 x 3.043 x 2.289) - 3 per	624,000,04x.x3
3	Lampholder, Top	
	220 / 50 79" Bulkhead Socket Bracket (.045 x 2.061 x 3.491) - 1 per	624,050,92x.x3
4	Lampholder, Bottom	
	H/O 524	
	T8 (220 / 50) - 4 per (Leviton 13351-UN)	804,902,00x.x1
5	Light Harness, Plug In	
	H/O Assembly	
	220 / 50 Light Harness	804,916,02x.x1
	Ballast	
	High Output 110V/60Hz (domestic)	804,400,38x.x1
	High Output 220 / 240V, 50 / 60 Hz (export)	804,400,55x.x1
7	Jumper, H/O Lamp Fixture 22"	
	Bottom 110V/60Hz (domestic) 22"	804,913,93x.x1
	220 / 50 Lamp Fixture 24"	804,916,06x.x1
8	Boot, Lamp	
	Lamp Socket Shield	902,001,21x.x1
9		
	220 V (International) Ballast Jumper	624,050,83x.x3
10		
	Screw, Phil Pan Swage Form #6-32x ³ / ₈	804,917,15x.x1
A1		900,301,70x.x1

DIXIE-NARCO, INC.

ENGINEERING CHANGE NOTICE

EWNR# 4577 SHEET 1 OF 5

SERVICE AFFECTED: Y N

PROJECT ENGR: J. Lars Swanson

CHANGE DESCRIPTION / REASON

This ECN releases the assembly information for Wave Door 220/50 lamp sockets and brackets.

ECNR# 98-094-096 D 13: 01/07/99

DRAWING AFFECTED: Y N

DRAFTSMAN: JLS

RECEIVED: _____
 SENT: _____
 CUSTOMER NOTIFICATION
 REQUIRED Y N

NEW Y N	PART NUMBER	PART NAME	CHANGE DESCRIPTION / MODEL AFFECTED	PURCHASED PART INFO / MATERIAL DISPOSITION					
				COM CODE:	MAT'L DISP:	RC	RW	EFF DATE:	U/M:
	624,001,500.03	Assy Ballast, 79 CWD 220/50 T8	Released, B.O.M. attached	NA	SC	RC	RW		
	624,001,300.03	Assy Socket, 72 CWD 220/50 T8	Released, B.O.M. attached	NA	SC	RC	RW		
	624,001,400.03	Assy Socket, 79 CWD 220/50 T8	Released, B.O.M. attached	NA	SC	RC	RW		
	624,001,100.13	Assy Ballast, 72 CWD 220/50 T8	Revised per attached Changed Description	NA	SC	RC	RW	B: 2	U/M:

APPROVALS
 PROJ ENGR ENGR

MFG PURCH

QUALITY REG

T SVCS MFG ENG

BIM MATLS

SVC PRTS FINANCE

SALES OTHER

DATE DISTRIBUTED: 1/12/99

SPECIAL COPY:

ASSEMBLY NAME 624,001,500.03 REVISION LEVEL 1 REVISION DATE 12/03/98 CLASS 79 DRAWING NUMBER 276 CWD

BATCH SIZE 1 PRODUCT DESCRIPTION

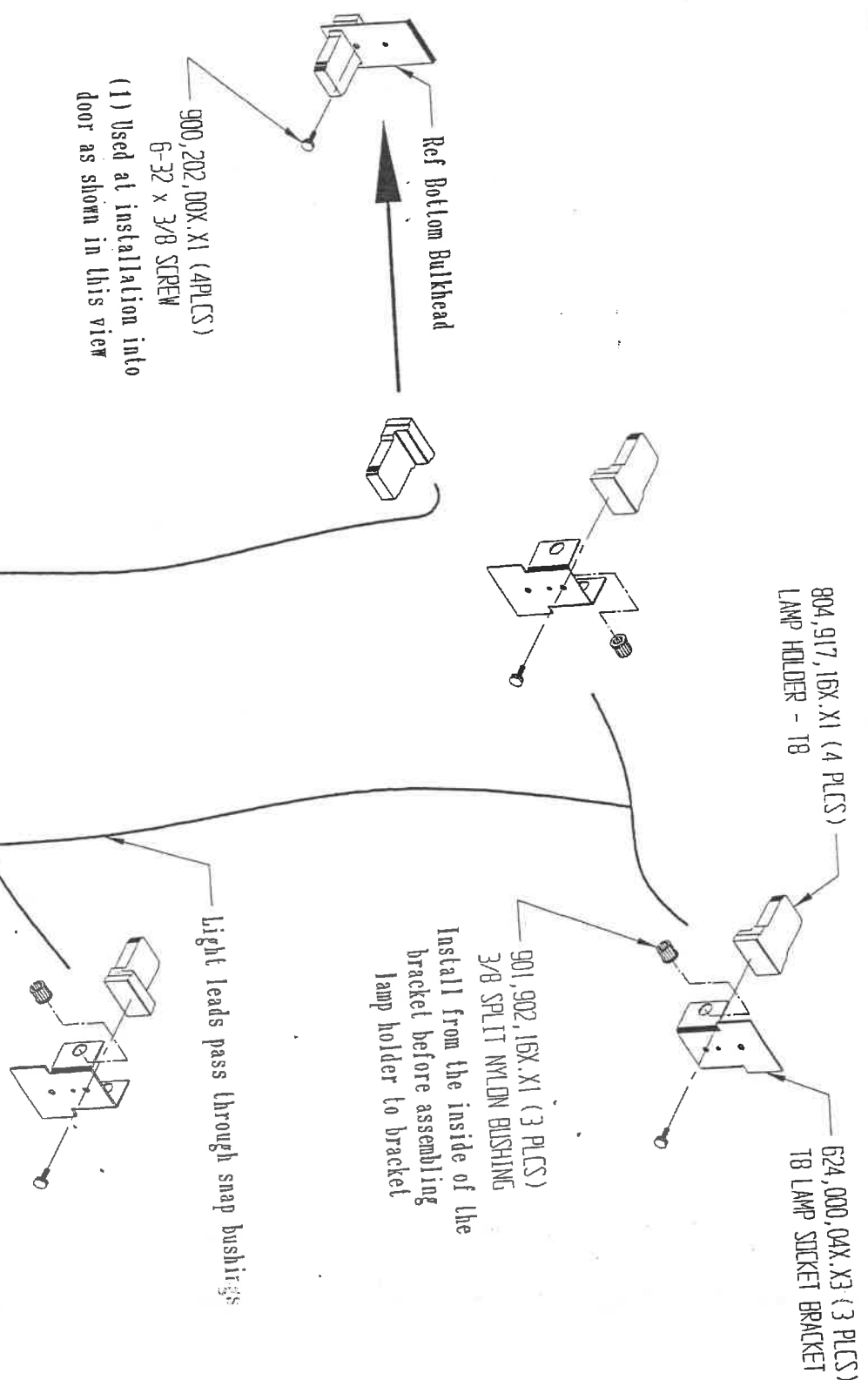
LEVEL NUMBER	ACT NBR	BALLOON COMPONENT NAME	PRODUCT DESCRIPTION	ENGINEER QUANTITY	TOTAL QUANTITY U/M	YIELD TXT	STS	EFFECTIVITY DATES
1		62400120003	A. THRDSTUD BALSTBOX 220/50 CWD	1.00000	EA 100.00	N	1	
		62400002003	SEQ NBR 1 COMP TYPE	FIRST OPER USED	EA 100.00	N	1	
		80610142001	SEQ NBR 1 COMP TYPE	FIRST OPER USED	EA 100.00	N	1	
		90100107021	.031 GALVZ COIL, 40.5 WD	.59069	LB 100.00	N	1	
		90190217001	SEQ NBR 1 COMP TYPE	FIRST OPER USED	EA 100.00	N	1	
		80440055001	THREADSTUD, 2 COMP TYPE	2.00000	EA 100.00	N	1	
		90080050001	SEQ NBR 2 COMP TYPE	FIRST OPER USED	EA 100.00	N	1	
		80491715001	BUSHING, 3/4" SPLIT HEYCO	1.00000	EA 100.00	N	1	
		62400003003	SEQ NBR 2 COMP TYPE	FIRST OPER USED	EA 100.00	N	1	
		80610142001	SEQ NBR 3 COMP TYPE	FIRST OPER USED	EA 100.00	N	1	
		90030156021	SEQ NBR 4 COMP TYPE	FIRST OPER USED	EA 100.00	N	1	
		80491714001	SEQ NBR 5 COMP TYPE	FIRST OPER USED	EA 100.00	N	1	
		80491606001	SEQ NBR 6 COMP TYPE	FIRST OPER USED	EA 100.00	N	1	
		80491714001	SEQ NBR 7 COMP TYPE	FIRST OPER USED	EA 100.00	N	1	
		80491714001	SEQ NBR 8 COMP TYPE	FIRST OPER USED	EA 100.00	N	1	
		80491714001	SEQ NBR 9 COMP TYPE	FIRST OPER USED	EA 100.00	N	1	
		80491714001	SEQ NBR 10 COMP TYPE	FIRST OPER USED	EA 100.00	N	1	
		80491714001	SEQ NBR 11 COMP TYPE	FIRST OPER USED	EA 100.00	N	1	
		80491714001	SEQ NBR 12 COMP TYPE	FIRST OPER USED	EA 100.00	N	1	
		80491714001	SEQ NBR 13 COMP TYPE	FIRST OPER USED	EA 100.00	N	1	
		80491714001	SEQ NBR 14 COMP TYPE	FIRST OPER USED	EA 100.00	N	1	

MTJLD DIXIEMAIX8 SIMULATION PRODUCT STRUCTURE ASSEMBLY REPORT
 NUMBER OF LEVELS 100000
 *** END OF REPORT ***
 624,001,400.03 (1)
 15.38.09 12/0 /98 PAGE 2

98-094-076

P

300.03



804,917, 16X, X1 (4 PLCS)
LAMP HOLDER - TB

824,000, 04X, X3 (3 PLCS)
TB LAMP SOCKET BRACKET

901,902, 16X, X1 (3 PLCS)
3/8 SPLIT NYLON BUSHING

Install from the inside of the
bracket before assembling
lamp holder to bracket

900,202, 00X, X1 (4 PLCS)
6-32 x 3/8 SCREW

(1) Used at installation into
door as shown in this view

Light leads pass through snap bushings

NOTES:

1. MATERIAL: B.O.M.
2. FINISH: NONE

REV.	DATE	BY	ENG.	ECN NO.
0.0	01/07/99	JLS	JLS	98-094-036
DESCRIPTION RELEASED				

Dixie-Narco		DATE: 1/2	
REV. NO.	REV. DATE	REV. NO.	REV. DATE
1.0	01/07/99	1.0	01/07/99
TITLE: ASSY SOCKET, 220/50 72 CMC			
QTY: 300.03			

ASSEMBLY NAME 62400110003 A, BALLAST 220/50 T8 CLASS 72
 REVISION LEVEL 0-1 REVISION DATE 12/03/98 DRAWING NUMBER 72
 UNIT OF MEASURE LB
 LOW LEVEL CODE

BATCH SIZE	LEVEL NUMBER	ACT NBR	BALLOON COMPONENT NAME	PRODUCT DESCRIPTION	ENGINEER QUANTITY	TOTAL QUANTITY	U/M	YIELD	TYT	STS	EFFECTIVITY DATES
1	1		62400120003	A, THRDSTUD BALLSTBOX 220/50 CWD	1.00000	1.00000	EA 100.00	N	1	1	
			62400002003	SEQ NBR 1 COMP TYPE	1.00000	1.00000	EA 100.00	N	1	1	
			80610142001	BOX, BALLAST 220/50	FIRST OPER USED	.59069	LB 100.00	BATCH			
			90100107021	SEQ NBR 1 COMP TYPE	2.00000	2.00000	EA 100.00	N	1	1	
			90190217001	031 GALVZ COIL, 40.5 WD	FIRST OPER USED	1.00000	EA 100.00	BATCH			
			80440055001	SEQ NBR 1 COMP TYPE	2.00000	2.00000	EA 100.00	N	1	1	
			90080050001	THREASTUD, COATED 8-32 x1/2"B	FIRST OPER USED	1.00000	EA 100.00	BATCH			
			80491715001	SEQ NBR 2 COMP TYPE	1.00000	1.00000	EA 100.00	N	1	1	
			62400003003	BUSHING, 3/4" SPLIT HEYCO	FIRST OPER USED	.58152	LB 100.00	BATCH			
			80610142001	SEQ NBR 2 COMP TYPE	2.00000	2.00000	EA 100.00	N	1	1	
			90030156021	BALLAST, ADVANCE 220V, 50HZ	FIRST OPER USED	1.00000	EA 100.00	BATCH			
			80491714001	SEQ NBR 3 COMP TYPE	1.00000	1.00000	EA 100.00	N	1	1	
			80491606001	NUT, KEPS 8-32	FIRST OPER USED	4.00000	EA 100.00	BATCH			
			80491715001	SEQ NBR 4 COMP TYPE	1.00000	1.00000	EA 100.00	N	1	1	
			62400003003	JUMPER, BALLAST 220/50	FIRST OPER USED	1.00000	EA 100.00	BATCH			
			80610142001	SEQ NBR 5 COMP TYPE	2.00000	2.00000	EA 100.00	N	1	1	
			90030156021	COVER, BALLAST 220/50	FIRST OPER USED	1.00000	EA 100.00	BATCH			
			80491714001	SEQ NBR 6 COMP TYPE	1.00000	1.00000	EA 100.00	N	1	1	
			80491606001	.031 GALVZ COIL, 40.5 WD	FIRST OPER USED	1.00000	EA 100.00	BATCH			
			80491714001	SEQ NBR 1 COMP TYPE	1.00000	1.00000	EA 100.00	N	1	1	
			80491606001	SCRW, 8-32x3/8 PHL PAN TYPE1	FIRST OPER USED	1.00000	EA 100.00	BATCH			
			80491714001	SEQ NBR 7 COMP TYPE	1.00000	1.00000	EA 100.00	N	1	1	
			80491606001	HARN, LIGHT 220/50	FIRST OPER USED	1.00000	EA 100.00	BATCH			
			80491714001	SEQ NBR 8 COMP TYPE	1.00000	1.00000	EA 100.00	N	1	1	
			80491606001	JUMPER, LAMP FIXTR 24"220V CWD	FIRST OPER USED	4.00000	EA 100.00	BATCH			
			80491714001	SEQ NBR 9 COMP TYPE	1.00000	1.00000	EA 100.00	N	1	1	
			80491606001	LAMPHOLDER, LEVITON 1551 UN	FIRST OPER USED	4.00000	EA 100.00	BATCH			
			80491714001	SEQ NBR 10 COMP TYPE	1.00000	1.00000	EA 100.00	N	1	1	
			80491606001	SCRW, 6-32x5/8 PHL PAN STNLSS	FIRST OPER USED	2.00000	EA 100.00	BATCH			
			80491714001	SEQ NBR 11 COMP TYPE	1.00000	1.00000	EA 100.00	N	1	1	
			80491606001	BRACKET, LAMP SOCKET	FIRST OPER USED	.28640	LB 100.00	BATCH			
			80491714001	SEQ NBR 12 COMP TYPE	1.00000	1.00000	EA 100.00	N	1	1	
			80491606001	.063 GALVZ COIL, 43 WD	FIRST OPER USED	2.00000	EA 100.00	BATCH			
			80491714001	SEQ NBR 13 COMP TYPE	2.00000	2.00000	EA 100.00	N	1	1	
			80491606001	SCRW, 10-32x5/16 PHL PN SWGFR B	FIRST OPER USED	15:38:09	EA 100.00	BATCH			
			80491714001	SEQ NBR 14 COMP TYPE	15:38:09	12/03/98	EA 100.00	N	1	1	

*** END OF REPORT ***

1-24, 001, 300.03 (1)

NUMBER OF LEVELS 100000

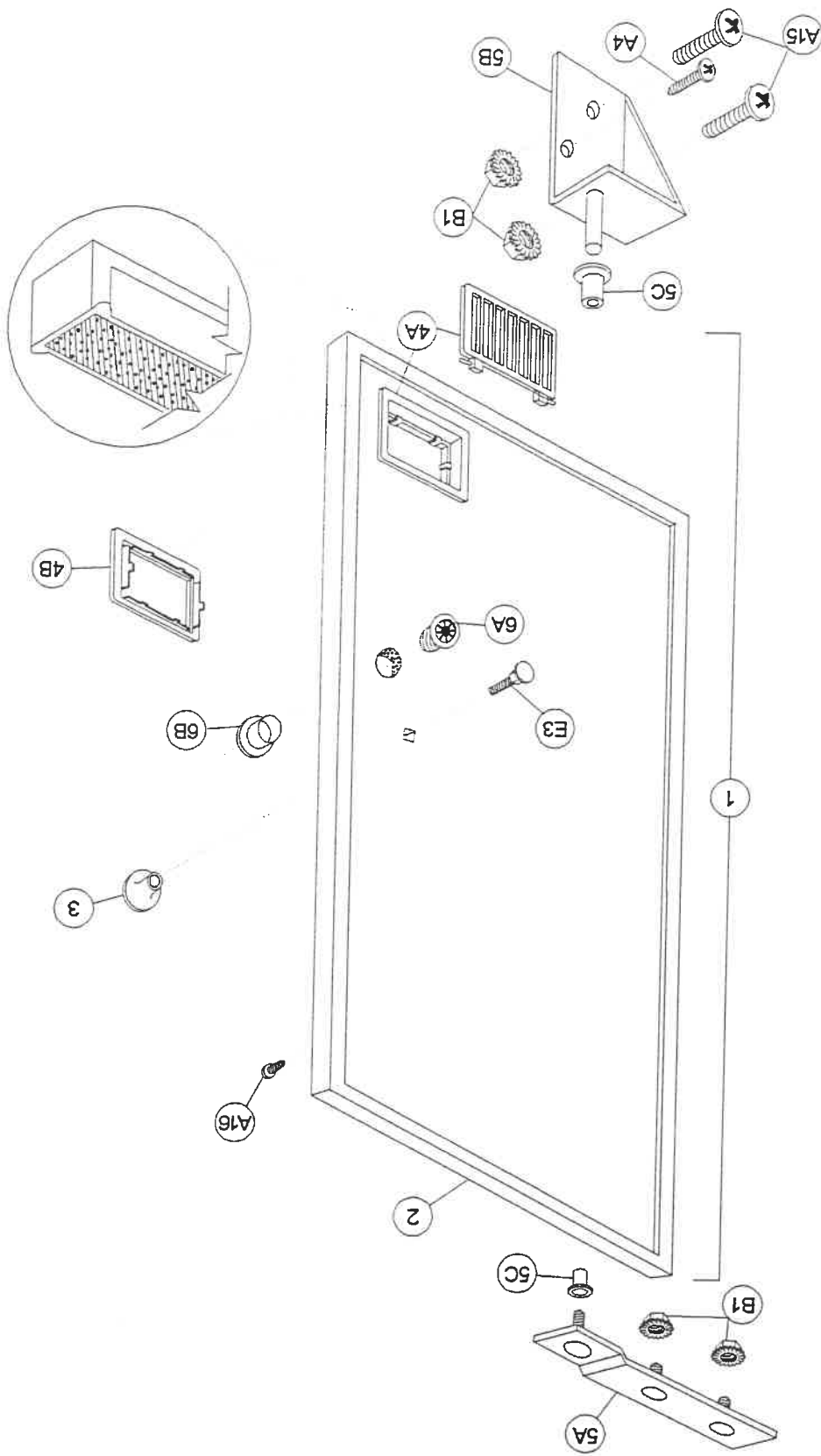
MTJLD DIXIEMAIX8 SIMULATION PRODUCT STRUCTURE ASSEMBLY REPORTT

WIRING HARNESS

ITEM #	DESCRIPTION	PART NUMBER
1	Cabinet Harness	
	SIID-9 (Cam and Sold-Out Switch Harness)	804,915,04x.x1
	SIID-7	804,917,01x.x1
2	Door Harness	
	CC-9 Electronic	804,914,04x.x1
	CC-10 Electronic	804,913,89x.x1
	CC-11, 12, 13 Electronic without Sold-Out Lights	804,913,92x.x1
	CC-11, 12, 13 Electronic with Sold-Out lights	804,916,07x.x1
	CC-11, 12 Electronic without Sold-Out Lights	804,914,56x.x1
	CC-11, 12 Electronic with Sold-Out Lights	804,914,57x.x1
	Display Harness	
	41" SIID / S3D	804,909,50x.x1
	Coin Mech Harness	
	MDB	804,909,78x.x1
	Cabinet Extension Harness	
	80" SIID / S3D	804,913,96x.x1
	Motor Extension Harness	
6	76" SIID / S3D	804,913,95x.x1
	90" SIID / S3D	804,909,29x.x1
	Motor Harness	
7	SIID-9	
	SIID-7	804,915,03x.x1
	DEX Harness	804,917,02x.x1
8	External	
	Sold-Out Light Harness 9 Select	804,913,97x.x1
9		804,916,09x.x1

Overridi switch harness 53A

80491408x.x1

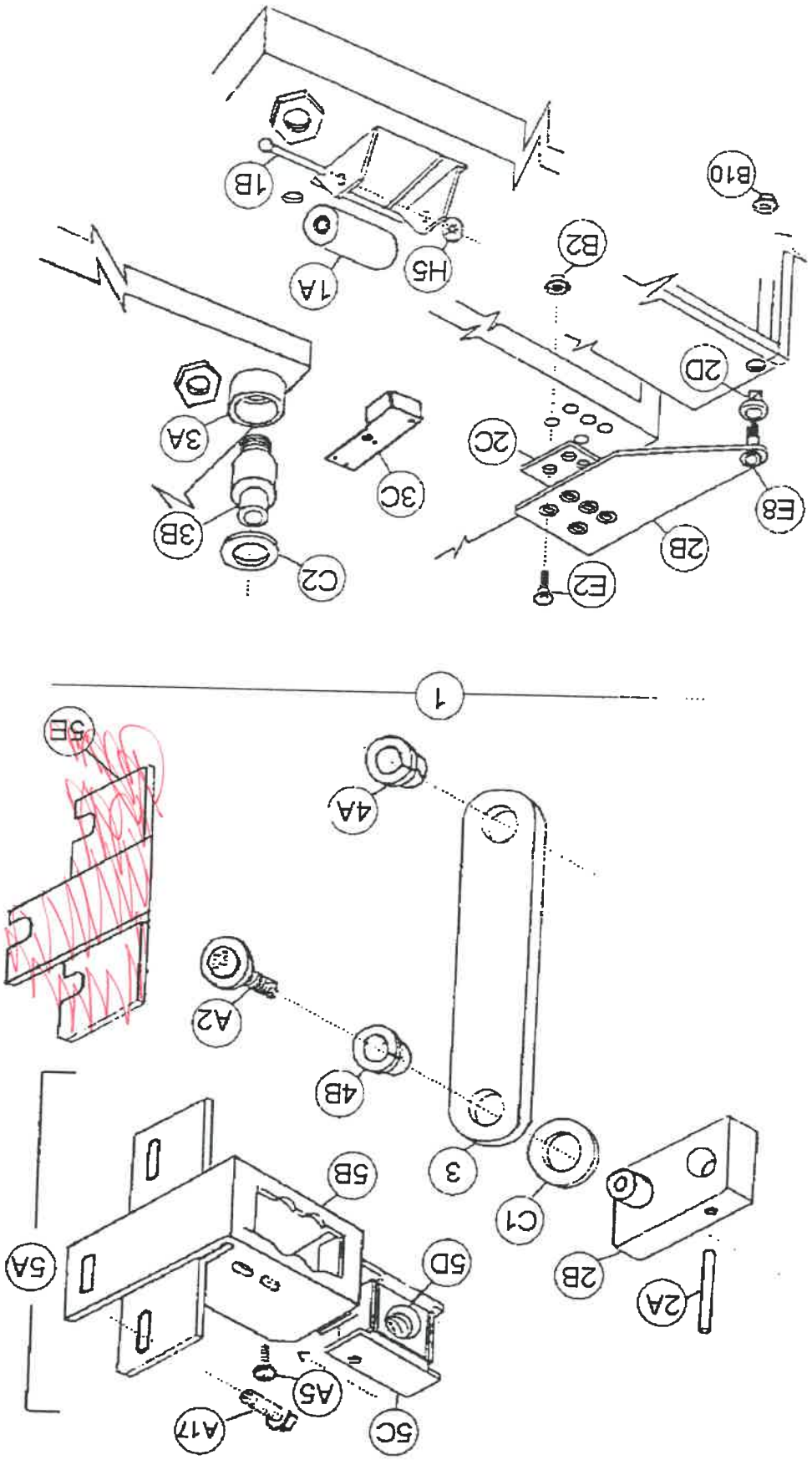


INNER DOOR

ITEM #	DESCRIPTION	PART NUMBER
1	Inner Door Assy.	624,051,00x.x3
	79" Wide	624,051,10x.x3
	72" Wide	624,051,20x.x3
	72" Narrow	
2	Inner Door Gasket	801,804,07x.x1
	79" Wide	801,804,06x.x1
	72" Wide	801,804,03x.x1
3	Knob	
4A	Discharge Frame Assy.	901,501,70x.x1
4B	Discharge Frame Retainer	801,809,16x.x1
5A	Inner Door Top Hinge Assy.	801,809,15x.x1
5B	Inner Door Bottom Hinge Assy.	169,053,00x.x3
5C	Plastic Bearing	169,051,10x.x3
6A	Bushing, Inner Door	901,803,71x.x1
6B	Bushing Retainer, Inner Door	801,806,42x.x1
7	2x2" Form Tmp (44" per lg port door)	801,806,43x.x1
A4	Screw, Phil Pan w/out Washer #8-18x1/2	900,301,50x.x1
A15	Screw, Machine Truss #10-32x1/2	900,201,14x.x1
A16	Screw, Phil Pan Sems #8-18x1/2	900,301,65x.x1
A34	Screw, Phil Pan #6-20x3/8	800,303,22x.x1
B1	Keps Nut #10-32	900,800,65x.x1
E3	Carriage Bolt, 1/4-20x1 1/4	900,201,23x.x1

8 SELF adhesive bumper (mount, 1/2" over door near motor cover)

802.000.33XX.1

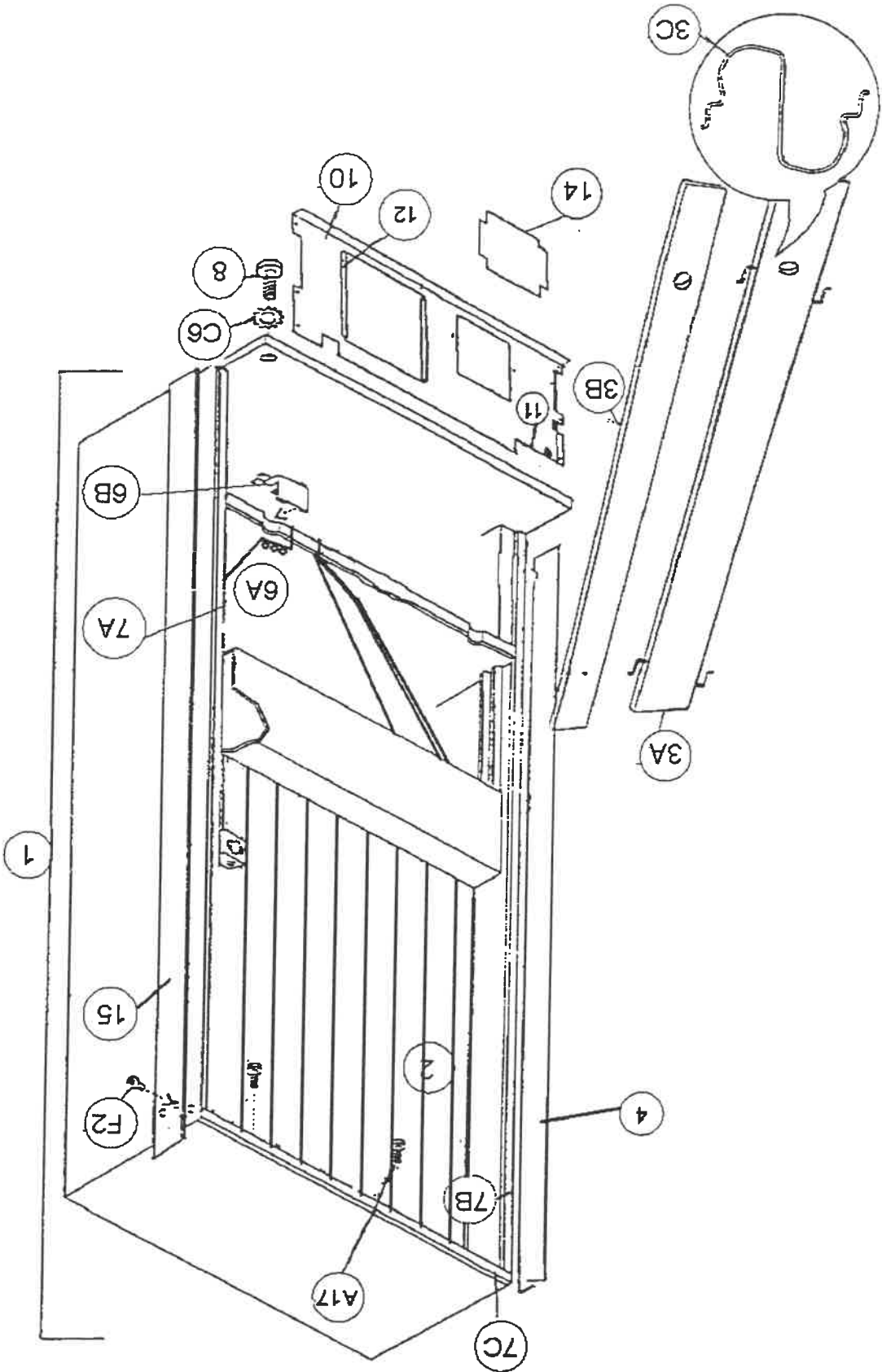


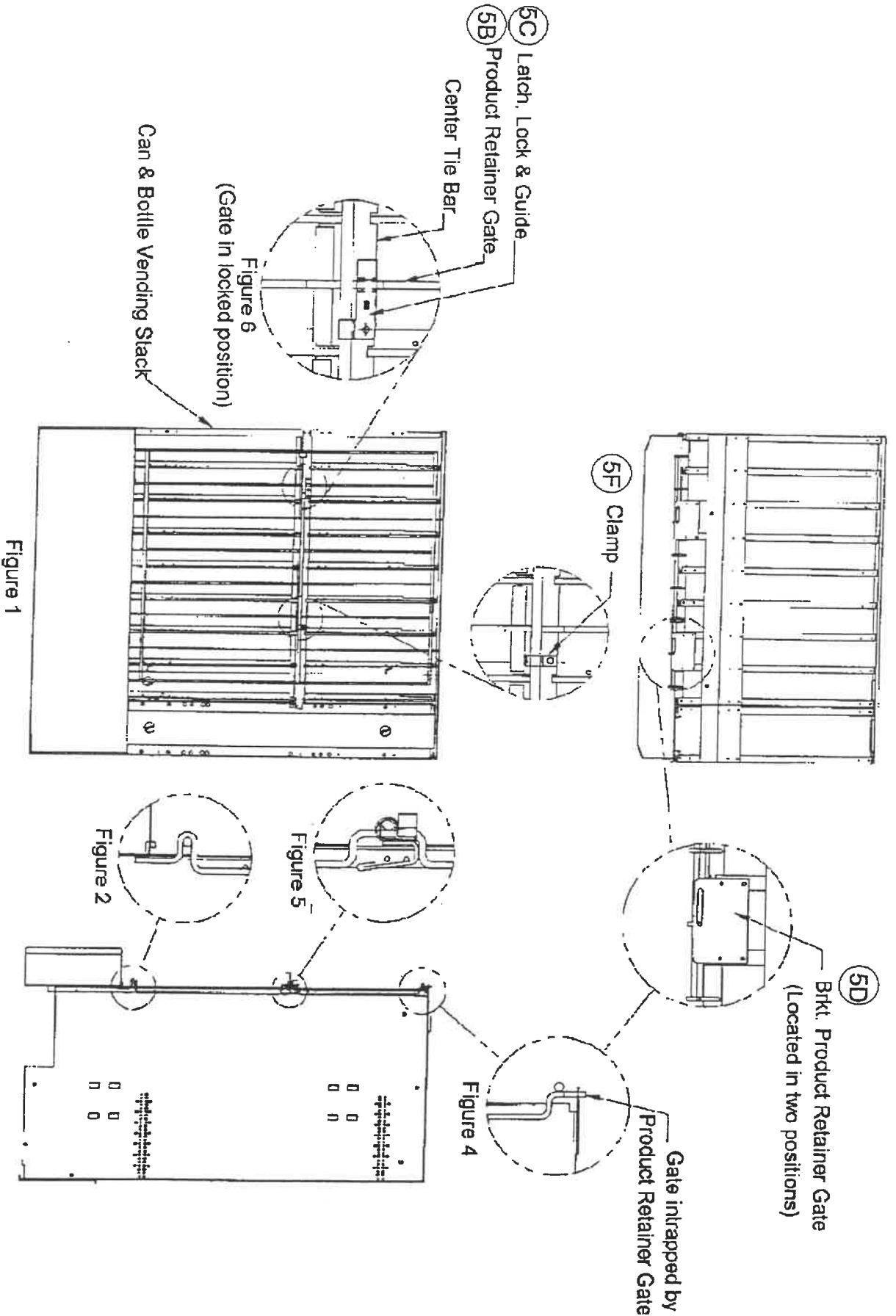
TWO-BAR LINKAGE / NUT RETAINER HOUSING

ITEM	DESCRIPTION	DNCB 600E 79" Wide	DNCB 501E 72" Wide	DNCB 276E 72" NARROW
1	Linkage and Drive Arm Assy.			
	All Styles	NA	NA	NA
2A	Groove Pin, 1/8x1 3/16 (30mm) - T2			
	All Styles			
2B	Drive Arm (Zinc)	900,901,94x.x1	900,901,94x.x1	NA
	All Styles			
3	Linkage Arm (Zinc)	801,200,95x.x1	801,200,95x.x1	NA
	All Styles			
4A	Nyliner, Top	801,201,59x.x1	801,201,59x.x1	NA
	All Styles			
4B	Nyliner, Bottom	901,803,16x.x1	901,803,16x.x1	NA
	All Styles			
5A	Assy., Nut Retainer Housing "E" - 1 point lock	901,804,77x.x1	901,804,77x.x1	NA
	All Styles			
5B	Traditional Nut Retainer Housing - 1 point lock	432,052,50x.x4	432,052,50x.x4	432,052,50x.x4
	Coke			
5C	Cage Nut Traditional - 1 point lock	432,050,73x.x3	432,050,73x.x3	432,050,73x.x3
	Coke			
5D	Square Nut, 1/2-13 N.C. - 1 point lock	801,803,85x.x1	801,803,85x.x1	801,803,85x.x1
	All Styles Standard	900,800,57x.x1	900,800,57x.x1	900,800,57x.x1
	All Styles High Security	900,801,06x.x1	900,801,06x.x1	900,801,06x.x1
A2	Screw, Phil Pan Swage Form #8-32x1/2"		900,301,64x.x1	
A5	Screw, Phil Pan Swage Form #8-32x1/4"		900,301,97x.x1	
A11	Screw, Phil Pan Sems #8-32x1/4"		900,301,97x.x1	
A17	Screw, Type F, 1/4-20x5/8		900,302,01x.x1	
C1	Flat Washer B, Delrin .040 thick 3/8"IDx5/8"OD		900,700,60x.x1	

ITEM	DESCRIPTION	DNCB 600E 79" Wide	DNCB 501E 72" Wide
1A	Roller, Main Door		
	All Styles	901,806,20x.x1	901,806,20x.x1
1B	Roller Pin		
	All Styles	900,502,19x.x1	900,502,19x.x1
2A	Assy., Top Hinge (drop in pin) E-Models All Styles		
	All Styles	624,052,90x.x3	624,052,90x.x3
2B	Top Hinge (drop in pin) E-Models All Styles		
	All Styles	801,305,14x.x1	801,305,14x.x1
2C	Top Hinge Spacer		
	All Styles	169,000,15x.x3	169,000,15x.x3
2D	Hinge Bearing		
	All Styles	805,300,42x.x1	805,300,42x.x1
3A	Bottom Hinge Sleeve		
	All Styles	900,502,64x.x1	900,502,64x.x1
3B	Bottom Hinge Pin		
	All Styles	900,502,70x.x1	900,502,70x.x1
3C	Bottom Hinge		
	All Styles	801,305,13x.x1	801,305,13x.x1
A9	Screw, Phil Pan Swage Form #8-32X3/8"		
	All Styles	900,301,56x.x1	900,301,56x.x1
A15	Screw, Machine Truss #10-32X1/2"		
	All Styles	900,201,14x.x1	900,302,01x.x1
A17	Screw, Self Tapping 1/4-20X5/8"		
	All Styles	900,800,67x.x1	900,800,69x.x1
B2	Keys Nut, 1/4-20		
	All Styles	900,800,67x.x1	900,800,69x.x1
B4	Keys Nut, Top Door Hinge 3/8-16		
	All Styles	900,801,02x.x1	900,801,02x.x1
B10	Hex Nut, 5/16-28 Center w/Flange (top hinge - drop in)		
	All Styles	901,303,77x.x1	901,303,77x.x1
C2	Flat Washer Door Hinge		
	All Styles	900,700,83x.x1	900,700,83x.x1
C10	Washer, Flat 18 Gauge		
	All Styles	900,700,08x.x1	900,700,08x.x1
C11	Flat Washer, 14 Gauge 5/16"-3/8"x7/8"		
	All Styles	900,201,17x.x1	900,201,17x.x1
E2	Carriage Bolt, 1/4-20x1		
	All Styles	900,201,56x.x1	900,201,56x.x1
E6	Carriage Bolt 1/4-20X3/4"		
	All Styles	900,201,85x.x1	900,201,85x.x1
E8	Carriage Bolt, 1/4-20x1 1/4 (top hinge - drop in)		
	All Styles	800,303,19x.x1	800,303,19x.x1
E9	Carriage Bolt, 1/4-20x5/8"		
	All Styles	900,900,90x.x1	900,900,90x.x1
H5	Retainer, Roller Pin		

HINGES AND ROLLER ASSY.





CABINET INTERIOR

ITEM	DESCRIPTION	DNCB 600E 79" Wide	DNCB 501E 72" Wide	DNCB 276E 72" Narrow
1	Foam Cabinet Assy.			
	All Styles			
2A	Stack Assy.	624,000,50x3	624,000,30x2	624,000,10x3
	Single Price - Cans	610,070,30x3	609,071,00x3	NA
	SIID - Cans	610,070,50x3	609,071,20x3	NA
	Single Price - Bottles	610,070,70x3	609,071,40x3	NA
	SIID - Bottles	610,070,80x3	609,071,50x3	NA
	Stack Assy. Single Price - No Shimming	610,070,80x3	609,071,50x3	NA
	Stack Assy. SIID - No Shimming	NA	NA	NA
	Single Price -30 ml Can 4 deep	610,071,60x3	609,074,30x3	615,070,00x3
	SIID -30 ml Can 4 deep	610,071,70x3	609,074,40x3	609,074,90x3
2B	Stack Sub Assy.	610,070,40x3	609,071,10x3	615,070,10x3
	All Styles	610,070,40x3	609,071,10x3	615,070,10x3
3A	Rear Spacer Assy. Wide Column	610,071,80x3	609,074,50x3	609,075,00x3
	All Styles	497,073,10x3	498,071,30x3	NA
3B	Rear Spacer Assy. Narrow Column	497,073,10x3	498,071,30x3	NA
	All Styles	497,073,20x3	498,071,40x3	498,071,40x3
3C	Latch Spring			
	Wide	901,700,88x1	901,700,88x1	NA
	Narrow	901,700,86x1	901,700,86x1	901,700,86x1
4	Protective Plate Left Side	901,700,86x1	901,700,86x1	901,700,86x1
	All Styles	594,020,24x3	594,020,24x3	594,020,24x3
	Gate, Wire	801,401,73x1	801,401,72x1	801,401,76x1
5A	Wire Gate Latch Lock & Guide	801,401,73x1	801,401,72x1	801,401,76x1
	All Styles	801,401,77x1	801,401,77x1	801,401,77x1
5B	Wire Gate Bracket Top	801,401,77x1	801,401,77x1	801,401,77x1
	All Styles	609,070,36x3	609,070,36x3	609,070,36x3
5D	Gate Label - Caution "E"	803,855,82x1	803,855,82x1	803,855,82x1
	All Styles	803,855,82x1	803,855,82x1	803,855,82x1
5E	Clamp, Nylon Cable 1/2"	803,855,82x1	803,855,82x1	803,855,82x1
	All Styles	900,901,80x1	900,901,80x1	900,901,80x1
6A	Mullion	900,901,80x1	900,901,80x1	900,901,80x1
	All Styles	801,810,56x1	801,810,56x1	801,810,56x1
6B	Mullion Cover	801,810,56x1	801,810,56x1	801,810,56x1
	All Styles	801,303,83x1	801,303,83x1	801,303,83x1
7A	Breaker Strip Right	801,303,83x1	801,303,83x1	801,303,83x1
	All Styles	491,020,15x3	492,020,04x3	492,020,04x3
7B	Breaker Strip Left	491,020,15x3	492,020,04x3	492,020,04x3
	All Styles	491,020,16x3	492,020,05x3	492,020,05x3
7C	Breaker Strip Top	491,020,16x3	492,020,05x3	492,020,05x3
	All Styles	491,020,17x3	491,020,17x3	491,020,17x3
8	Leveling Leg 5/8"-11x2 1/16"	491,020,17x3	491,020,17x3	491,020,17x3
	All Styles	900,502,49x1	900,502,49x1	900,502,49x1
9	Mounting Bracket, Rear	900,502,49x1	900,502,49x1	900,502,49x1
	All Styles	609,070,24x3	609,070,24x3	609,070,24x3
10	Cabinet Front Stiffener Plate	609,070,24x3	609,070,24x3	609,070,24x3
	All Styles	594,021,10x3	594,021,10x3	594,021,10x3

ITEM	DESCRIPTION	DNCB 600E	DNCB 501E	DNCB 276E
11	Trim Access Hole Stiffener	79" Wide	72" Wide	72" Narrow
12	All Styles Caterpillar Grommeting	801,807,10xX1	801,807,10xX1	801,807,10xX1
14	All Styles Kydex Door	801,809,93xX1	801,809,93xX1	801,812,07xX1
15	Protective Plate Right, Cabinet	801,903,34xX1	801,903,34xX1	801,903,34xX1
A4	Screw, Phill Pan 8-18x1/2	164,000,04xX3	165,000,04xX3	165,000,04xX3
A5	Screw, Phill Pan Swage Form #8-32x1/4"		900,301,50xX1	
A9	Screw, Phill Pan 8-32x3/8		900,301,97xX1	
A10	Screw, Machine #6-32x1 1/4"		900,201,31xX1	
A14	Screw, Phill Pan 10-32x1 1/4		900,301,81xX1	
A16	Screw, Phill Pan Sems 8-18x1/2"		900,301,65xX1	
A17	Screw, Type F 1/4-20x5/8		900,302,01xX1	
A19	Screw, Phill Pan 10-32x5/8		900,901,51xX1	
A21	Screw, Phill Pan 8-18x1/2		900,301,98xX1	
A26	Screw, Phill Pan 8-18x3/4		800,303,15xX1	
B2	Keps Nut 1/4"-20		900,800,67xX1	
C6	Lockwasher, Shakeproof 5/8" (1132-00-00-0551)		900,700,89xX1	
C8	Washer, Shakeproof (4610-16-01-0551)		900,700,62xX1	
E7	Carriage Bolt 1/4-20x5/8		900,303,12xX1	
F1	Pop Rivet, Aluminum 1/4"		900,100,43xX1	
F5	Pop Rivet, Steel (Zinc Plated) 1/8"		901,100,61xX1	
F6	Pop Rivet, Aluminum 1/8"		901,100,53xX1	
H2	Tinnerman Clip, Fan Shroud (C5207-014-3B)		900,901,89xX1	
H7	Hole Plug, Snap In - 1 1/4		801,807,01xX1	
I6	Clamp, Nylon 5/16 Black Heyco 3355 or Dennison 10159		900,901,79xX1	
I7	Clamp, Nylon 1/2" Heyco 3328		900,901,80xX1	

CABINET AND VEND MECHANISM

ITEM	DESCRIPTION	DNCB 600E 79" Wide	DNCB 501E 72" Wide	DNCB 276E 72" Narrow
1	Vend Motor Cover Assy.			
	All Styles			
2A	Vend Motor Assy., Wide	609,070,43x.x3	609,070,43x.x3	615,070,07x.x3
	Single Price			
	SIID	609,070,60x.x3	609,070,60x.x3	NA
2B	Vend Cam, Wide Column	609,070,70x.x3	609,070,70x.x3	NA
	Grey			
2C	Adjustable Cam, Wide Column	801,809,80x.x1	801,809,80x.x1	NA
	Red			
3A	Vend Motor Assy., Narrow	801,809,79x.x1	801,809,79x.x1	NA
	Single Price			
	SIID	609,070,80x.x3	609,070,80x.x3	609,070,80x.x3
3B	Vend Cam, Narrow Column	609,070,90x.x3	609,070,90x.x3	609,070,90x.x3
	Brown			
3C	Adjustable Cam, Narrow Column	801,806,18x.x1	801,806,18x.x1	801,806,18x.x1
	Orange - 4 deep			
	Brown			
4	Vend Motor Switch	801,806,61x.x1	801,806,61x.x1	801,806,61x.x1
	Single Price (double)			
	SIID (single)	804,100,69x.x1	804,100,69x.x1	804,100,69x.x1
5	Vend Motor Switch Insulator	804,100,73x.x1	804,100,73x.x1	804,100,73x.x1
	All Styles			
6	Vend Rotor - Narrow Column	905,800,33x.x1	905,800,33x.x1	905,800,33x.x1
	All Styles			
	330 ml x 4 Can, Assy. Rotor	801,201,56x.x1	801,201,56x.x1	801,201,56x.x1
7A	Vend Oscillator - Wide Column	801,201,65x.x1	801,201,65x.x1	801,201,65x.x1
	All Styles			
7B	Package Retainer - Oscillator	801,201,57x.x1	801,201,57x.x1	NA
	All Styles			
8	Nylonier	801,807,87x.x1	801,807,87x.x1	NA
	Front Wide Column Only (#8L2-FF)			
	Rear All Columns	901,804,23x.x1	901,804,23x.x1	NA
	Wire Shield	801,803,17x.x1	801,803,17x.x1	801,803,17x.x1
	All Styles			
10A	Sold-Out Switch Assy.	267,070,37x.x3	267,070,37x.x3	615,070,12x.x3
	Single Price, 2/4 Price - Xenoy 1731			
	SIID (w/ gold cross point) - Xenoy 1731	804,100,68x.x1	804,100,68x.x1	804,100,68x.x1
	Sold-Out Paddle	804,100,75x.x1	804,100,75x.x1	804,100,75x.x1
10B	Standard			
	Special Use Only - E-Models	432,070,19x.x3	432,070,19x.x3	432,070,19x.x3
	Narrow - Special Use Only E-Models	609,070,19x.x3	609,070,19x.x3	609,070,19x.x3
10C	Sold-Out Paddle Spring	432,070,17x.x3	432,070,17x.x3	432,070,17x.x3
	All Styles			
11	Mechanism Supports	901,700,74x.x1	901,700,74x.x1	901,700,74x.x1
	All Models Rear			
12A	Evaporator Fan Motor Assy.	497,070,01x.x3	497,070,01x.x3	497,070,01x.x3
	115V			
	220-240V	491,000,20x.x3	491,000,20x.x3	491,000,20x.x3
		491,140,40x.x3	491,140,40x.x3	491,140,40x.x3

MARKETING MACHINE PARTS

DIXIE-NARCO, INC.

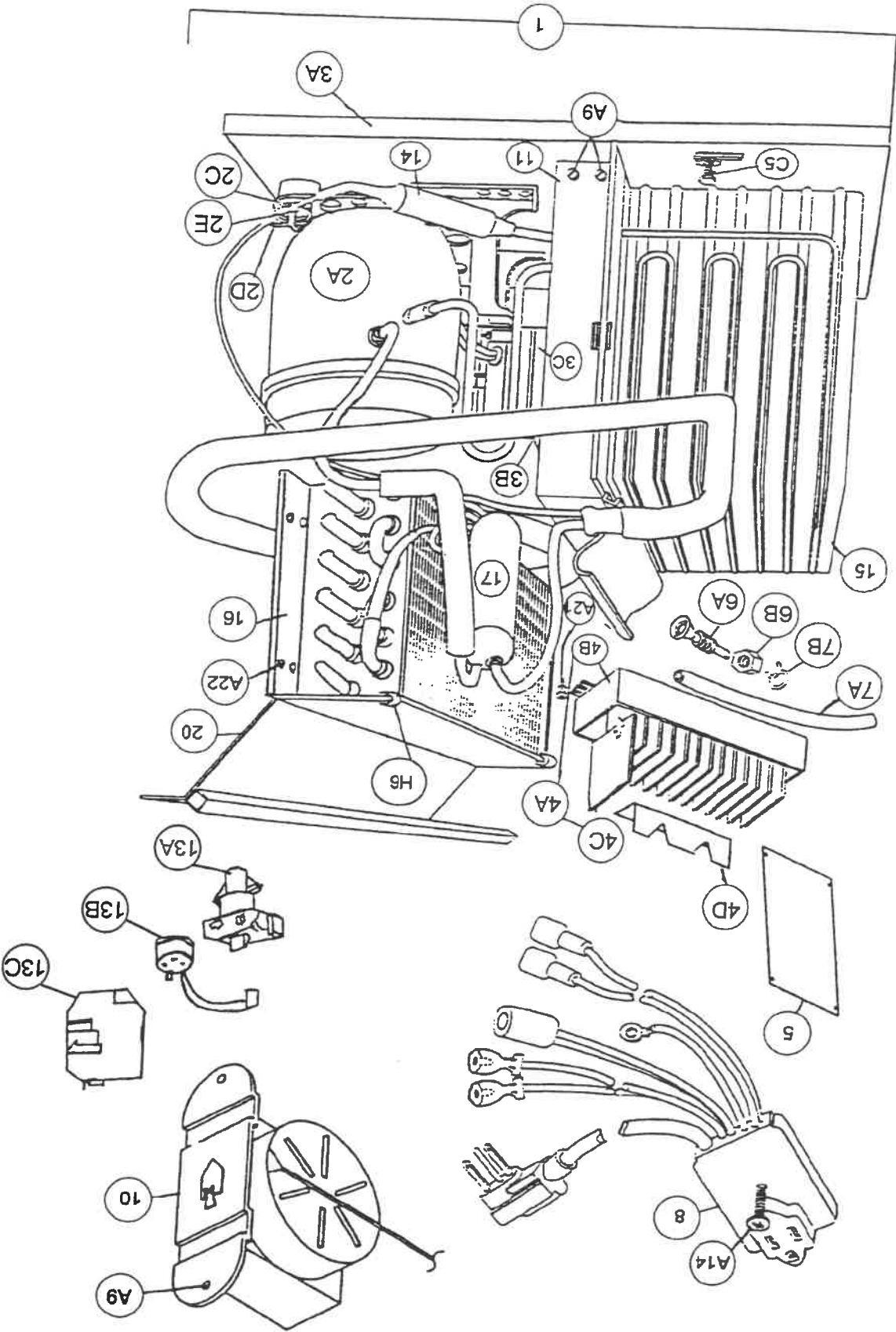
ITEM	DESCRIPTION	DNCB 600E	DNCB 501E	DNCB 276E
12B	Evaporator Fan Motor	79" Wide	72" Wide	72" NARROW
	115V			
	220-240V			
12C	Evaporator Fan Motor Bracket	804,500,52x.x1	804,500,52x.x1	804,500,52x.x1
	All Styles			
12D	Evaporator Fan Blade	164,040,08x.x3	164,040,08x.x3	164,040,08x.x3
	All Styles (AD775CW32S or FV775CW30S)			
13A	Chute Assy, Can/Bottle	801,303,27x.x1	801,303,27x.x1	801,303,27x.x1
	Standard			
13B	Chute, Can/Bottle	624,070,10x.x3	624,070,10x.x3	624,070,00x.x3
	All Styles			
13C	Chute Liner (Kydex), Can/Bottle	624,070,05x.x3	624,070,05x.x3	624,070,01x.x3
	All Styles			
13D	Chute Bracket	801,903,62x.x1	801,903,62x.x1	801,903,57x.x1
	All Styles			
14A	Foam Block, EPS	609,070,48x.x3	609,070,48x.x3	609,070,48x.x3
	All Styles			
14B	Hinge Pocket Cover	903,300,77x.x1	903,300,77x.x1	903,300,70x.x1
	All Styles			
15	Journal	169,000,13x.x3	169,000,13x.x3	169,000,13x.x3
	All Styles			
16	Shims	176,072,11x.x3	176,072,11x.x3	NA
	Flat Shim 3/16" (wide column)	801,809,72x.x1	801,809,72x.x1	NA
	Flat Shim 3/32" (wide column)	801,809,81x.x1	801,809,81x.x1	NA
	Can Stop Shim, Right (narrow column)	609,070,14x.x3	609,070,14x.x3	609,070,14x.x3
	Bottle Shim, Right (narrow column)	609,070,15x.x3	609,070,15x.x3	609,070,15x.x3
	Bottle Shim, Right (wide column)	801,304,96x.x1	801,304,96x.x1	801,304,96x.x1
	Angle Shim (narrow column)	610,070,06x.x1	610,070,06x.x1	NA
	Rotor Shim 330 ml x 4	609,010,10x.x3	609,010,10x.x3	609,010,10x.x3
	Shim 330 ml x 4 Can, Narrow Column	609,070,57x.x3	609,070,57x.x3	609,070,57x.x3
	Shim 25 cl x 4 Can, Narrow Column	609,070,53x.x3	609,070,53x.x3	609,070,53x.x3
17	Rod and Spring Assy. (narrow column)	609,070,56x.x3	609,070,56x.x3	609,070,56x.x3
	All Styles			
18	Tubes for Rod and Springs	609,070,30x.x3	609,070,30x.x3	609,070,30x.x3
	Red			
	Yellow	801,903,23x.x1	801,903,23x.x1	801,903,23x.x1
	White	801,903,25x.x1	801,903,25x.x1	801,903,25x.x1
19	Oscillator, Paddle Extension w/bottle stop	801,903,24x.x1	801,903,24x.x1	801,903,24x.x1
	All Styles for advised set-up			
20	Bottle Divider	324,010,21x.x3	324,010,21x.x3	NA
	All Styles for advised set-up			
21	Trim, Vend Motor Cover	801,903,73x.x1	801,903,72x.x1	801,903,72x.x1
	All Styles			
A3	Screw, Phil Pan 10-32x5/16"			
A6	Screw, Vend Motor #4-24x3/4" (Single Switch)			900,301,83x.x1
A7	Screw, Vend Motor #4-24x1 1/16" (Double Switch)			900,300,47x.x1
A8	Screw, Vend Motor #4-24x1 1/2" (Triple Switch)			900,301,82x.x1
	Screw, Phil Pan 8-32x3/8			900,301,61x.x1
	Screw, Phil Thread 8-32x5/8			900,301,85x.x1

Part Numbers Subject To Change Without Notice

Part Numbers Subject To Change Without Notice.

ITEM	DESCRIPTION	DNCB 600E 79" Wide	DNCB 501E 72" Wide	DNCB 276E 72" Narrow
A18	Screw, Hex Head 8-36x3/8"	900,301,69x.x1		
A19	Screw, Phill Pan 10-32x5/8"	900,901,51x.x1		
A22	Screw, Phill Pan 8-18x1/2"	900,301,84x.x1		
A32	Screw, Hex Washer Type 1 #8-32x3/8"	900,303,08x.x1		
B5	Speed Nut	900,800,85x.x1		
F5	Pop Rivet, Steel (Zinc Plated) 1/8"			
F6	Pop Rivet, Aluminum 1/8"	901,100,61x.x1		
F7	Pop Rivet, Steel (Zinc Plated) 3/16"	901,100,53x.x1		
H3	Grommet, BK Rubber #97	901,100,60x.x1		
H9	Silencer	900,401,09x.x1		
I11	Clamp, Nylon 3/4" Heyco 3382BL	902,100,29x.x1		901,900,55x.x1

DIXIE-NARCO, INC.



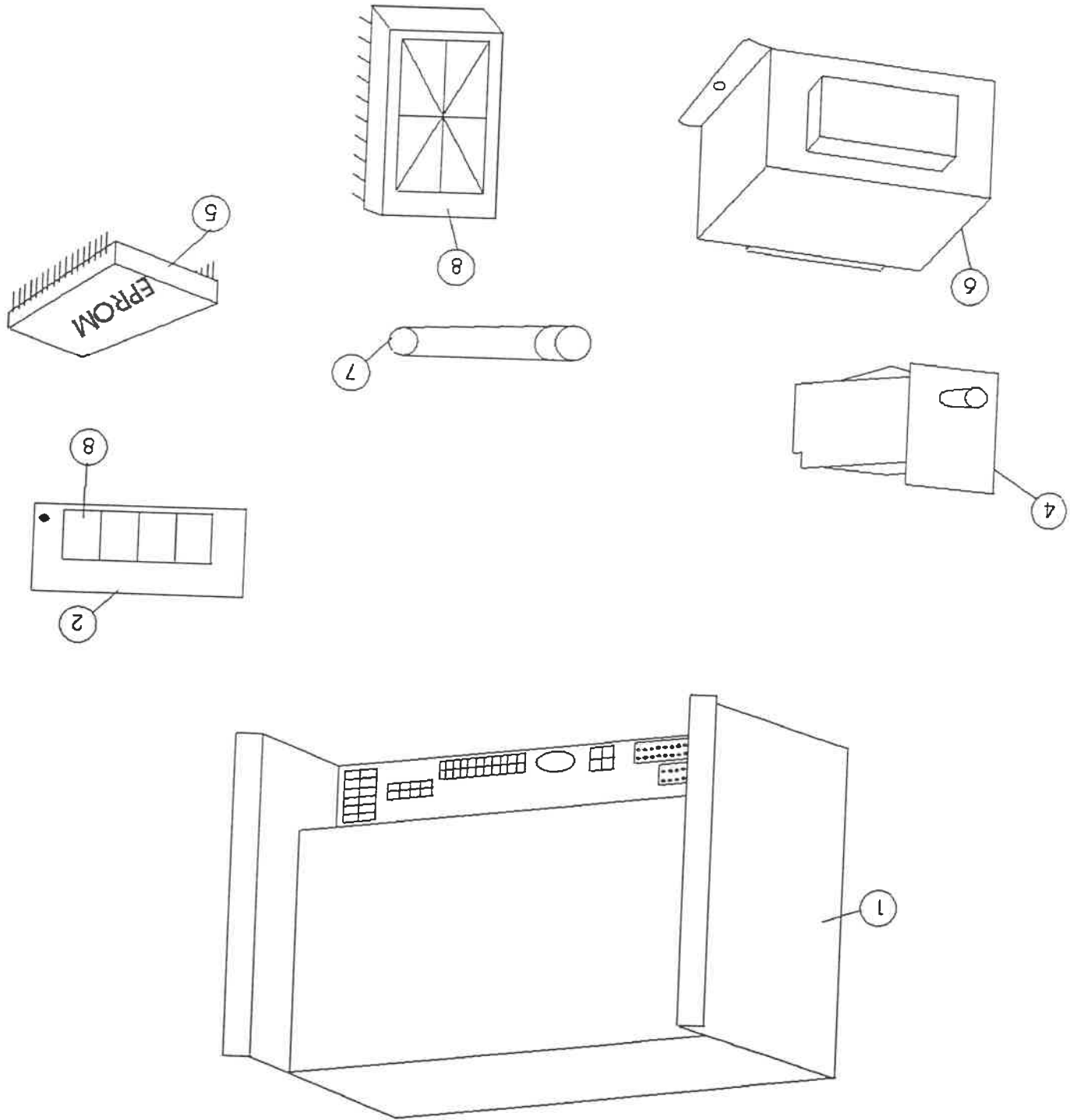
REFRIGERATION SYSTEM

ITEM	DESCRIPTION	DNCB 600E 79" Wide	DNCB 501E 72" Wide	DNCB 276E 72" Narrow
1	Complete Refrigeration System			
	All Styles Domestic (1203C-E)	609,040,90xX3	609,040,90xX3	609,040,90xX3
	1/3 HP 220-240/50 "E" (1223-E IEC)	609,041,10xX3	609,041,10xX3	609,041,10xX3
	1/3 HP 220-240/50 "E" (1223-E AUS)	609,041,30xX3	609,041,30xX3	609,041,30xX3
	1/3 HP 220-240/50 "E" (1223-E GEN)	609,041,50xX3	609,041,50xX3	609,041,50xX3
2A	Compressor	609,041,50xX3	609,041,50xX3	609,041,50xX3
	FF112HBX 115/60 1/3 HP	802,501,74xX1	802,501,74xX1	802,501,74xX1
	FF112HBK 220/50 1/3 HP	802,501,74xX1	802,501,74xX1	802,501,74xX1
2B	Compressor Lead Harness	802,502,17xX1	802,502,17xX1	802,502,17xX1
	115/60 (1203CB-E)	904,900,61xX1	904,900,61xX1	904,900,61xX1
	Europe	804,905,32xX1	804,905,32xX1	804,905,32xX1
	IECA	804,904,49xX1	804,904,49xX1	804,904,49xX1
2C	Compressor Mounting Grommet	904,900,61xX1	904,900,61xX1	904,900,61xX1
	All Styles	902,000,57xX1	902,000,57xX1	902,000,57xX1
2D	Compressor Mounting Clip	900,901,88xX1	900,901,88xX1	900,901,88xX1
	All Styles	901,803,91xX1	901,803,91xX1	901,803,91xX1
3A	Compressor Base Plate	491,040,25xX3	491,040,25xX3	491,040,25xX3
	All Styles	491,040,20xX3	491,040,20xX3	491,040,20xX3
	Condenser Fan Motor Assy.	491,140,30xX3	491,140,30xX3	491,140,30xX3
	115/60	804,500,67xX1	804,500,67xX1	804,500,67xX1
3D	Condenser Fan Blade	800,103,37xX2	800,103,37xX2	800,103,37xX2
	All Styles FY870CW255	804,500,70xX1	804,500,70xX1	804,500,70xX1
4A	Drain Pan Assy. w/ Fiberglass Soakers	491,000,10xX3	491,000,10xX3	491,000,10xX3
	All Styles	801,804,24xX1	801,804,24xX1	801,804,24xX1
4B	Drain Pan, Plastic w/ Fingers	905,800,69xX1	905,800,69xX1	905,800,69xX1
	All Styles	594,000,06xX3	594,000,06xX3	594,000,06xX3
4D	Drain Pan Clamp	801,903,52xX1	801,903,52xX1	801,903,52xX1
	All Styles	801,806,05xX1	801,806,05xX1	801,806,05xX1
5	Rear Condensate Plate	900,301,79xX1	900,301,79xX1	900,301,79xX1
	All Styles	901,900,50xX1	901,900,50xX1	901,900,50xX1
6A	Drain Tube	900,901,03xX1	900,901,03xX1	900,901,03xX1
	All Styles	901,900,50xX1	901,900,50xX1	901,900,50xX1
6B	Drain Tube Nut	900,301,79xX1	900,301,79xX1	900,301,79xX1
	All Styles	900,901,03xX1	900,901,03xX1	900,901,03xX1
7A	Drain Hose			
	All Styles			
7B	Drain Hose Clamp			
	All Styles			

ITEM	DESCRIPTION	DNCB 600E 79" Wide	DNCB 501E 72" Wide	DNCB 276E 72" Narrow
8	Main Wiring Harness United States & Mexico Fan Housing Assy.	804,902,222x1 <i>804 915 14x1</i>	804,902,222x1 <i>804 915 14x1</i>	804,902,222x1 <i>804 915 14x1</i>
9	Double Narrow	609,044,00x3	609,044,00x3	NA
10A	Temperature Control	NA	NA	493,040,10x3
10B	All Styles Bracket, Temperature Control Extension (.045x5.125x6.671)	802,800,50x1	802,800,50x1	802,800,54x1
11	Condenser Fan Shroud	624,000,01x3	624,000,01x3	624,000,01x3
12	All Styles Relay (110V / 60 Hz)	491,040,11x3	491,040,11x3	491,040,11x3
13	Domestic Models Embraco 1.351.605 Overload / (110V / 60 Hz)	802,502,13x1	802,502,13x1	802,502,13x1
14	Domestic Models TIMRT22AFZ-5598 (FOR 1/3 HP) Dryer	802,502,10x1	802,502,10x1	802,502,10x1
15	All Styles ".054 Outlet 4AXH7 Condenser	802,401,29x1	802,401,29x1	802,401,29x1
16	All Styles "B" 1/3 HP Evaporator (short) CW01655 (1/3 HP)	802,600,55x1	802,600,55x1	802,600,55x1
17	Accumulator 1/3 HP	802,600,37x1	802,600,37x1	802,600,37x1
18A	Capacitor, Start Domestic, 233-280MFD / 115V 60 Hz (FOR 1/3 HP)	802,400,46x1	802,400,46x1	802,400,46x1
18B	Capacitor, End Cap Bottom Hole Domestic	802,501,21x1	802,501,21x1	802,501,21x1
18C	Capacitor Assembling Bracket Domestic	802,501,18x1	802,501,18x1	802,501,18x1
19	Cover, Embraco 1,355,504 Short (Domestic) - 1/3 HP	802,501,87x1	802,501,87x1	802,501,87x1
20	Top Evaporator Cover	802,501,86x1	802,501,86x1	NA
A9	Screw, Phill Pan 8-32x3/8	900,301,56x1	900,301,56x1	900,301,56x1
A16	Screw, Phill Pan Sems w/ Washer #8-18x1/2"	900,301,65x1	900,301,65x1	900,301,65x1
A18	Screw, Hex Head 8-36x3/8"	900,301,69x1	900,301,69x1	900,301,69x1
A21	Screw, Phill Pan Shoulder #8-18x17/32"	900,301,98x1	900,301,98x1	900,301,98x1
A22	Screw, Phill Pan #8-18x1/2	900,301,84x1	900,301,84x1	900,301,84x1
A28	Screw, Phill Flat 10-32x1/2	900,301,94x1	900,301,94x1	900,301,94x1
A29	Screw, Machine Brass 6-32x1/4	900,201,44x1	900,201,44x1	900,201,44x1
B5	Speed Nut	900,800,85x1	900,800,85x1	900,800,85x1
C5	Lock Washer, Split 3/8"	900,700,36x1	900,700,36x1	900,700,36x1
E1	Refrigeration Bolt 3/8-16x1"	900,400,44x1	900,400,44x1	900,400,44x1
F6	Pop Rivet, Aluminum 1/8"	901,100,53x1	901,100,53x1	901,100,53x1

20 50223 to 0272 - 6600 L.I.D.
60905051X3
60905051X3
NA

ITEM	DESCRIPTION	DNCB 600E 79" Wide	DNCB 501E 72" Wide	DNCB 276E 72" NARROW
H2	Tinnerman Clip, Fan Shroud	900,901,89x.x1		
H6	Tinnerman Clip	900,902,18x.x1		
H8	Grommet, Admiral #B53351	901,806,77x.x1		
H9	Silencer	902,100,29x.x1		
H11	Clamp, Nylon 3/4" Heyco 3382BL	901,900,55x.x1		
H12	Cable Tie, 5 1/2"	901,902,83x.x1		



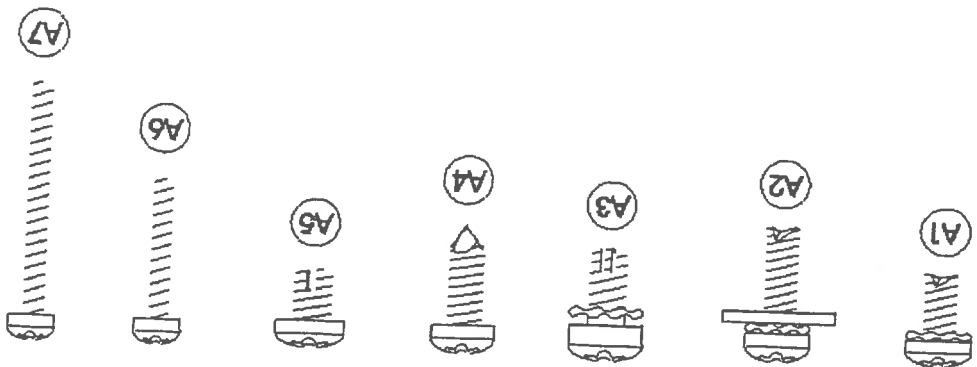
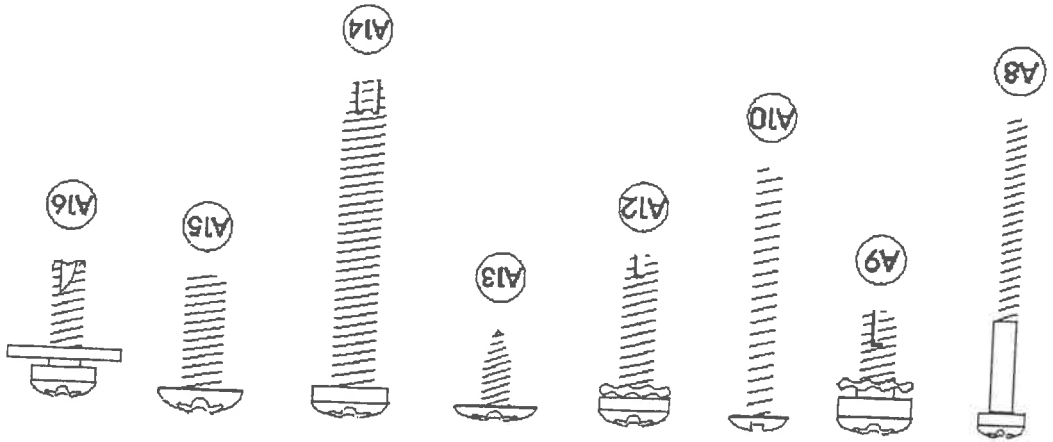
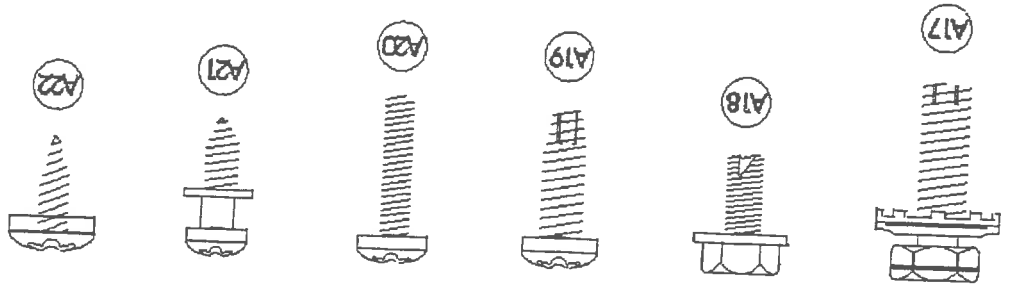
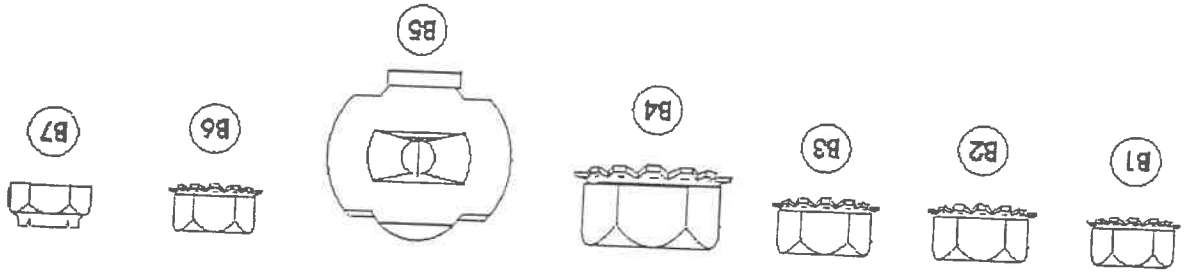
ELECTRONIC COMPONENTS / MISC. LABELS

ITEM	DESCRIPTION	DNCB 600E	DNCB 501E	DNCB 276E
1	Control Board	79" Wide	72" Wide	72" Narrow
	S3D	804,915,10X.X1	804,915,10X.X1	804,915,10X.X1
	SIID	804,911,83X.X1	804,911,83X.X1	804,911,83X.X1
	Display Board Assy.			
2	SIID Control Board Curtain	804,914,11X.X1	804,914,11X.X1	804,914,11X.X1
	Door Switch	801,903,38X.X1	801,903,38X.X1	801,903,38X.X1
3	Controller Software (Eprom)	804,100,77X.X1	804,100,77X.X1	804,100,77X.X1
	SIID	804,911,390,51-B	804,911,390,51-B	804,911,390,51-B
	SIID / S3D EVS 2.2	804,911,390,81-A	804,911,390,81-A	804,911,390,81-A
6	Transformer			
	Fuses	804,909,80X.X1	804,909,80X.X1	804,909,80X.X1
	1.6 Amp Slow Blow Fuse			
	6 Amp Fast Acting Fuse	804,800,71X.X1	804,800,71X.X1	804,800,71X.X1
	1 Amp Slow Blow Fuse (SIID Only)	804,901,93X.X1	804,901,93X.X1	804,901,93X.X1
8	Display Segment Character	804,800,72X.X1	804,800,72X.X1	804,800,72X.X1
	14 Segment			
9	Wiring Diagram	804,912,79X.X1	804,912,79X.X1	804,912,79X.X1
	SIID-9/9	803,855,73X.X1	803,855,73X.X1	803,855,73X.X1
	S3D-9/9	803,857,63X.X1	803,857,63X.X1	803,857,63X.X1
	S3D-13/9 without Sold-Out Lights	803,854,41X.X1	803,854,41X.X1	803,854,41X.X1
	S3D-9/9 without Sold-Out Lights	803,856,34X.X1	803,856,34X.X1	803,856,34X.X1
	S3D-9/7 without Sold-Out Lights	803,856,35X.X1	803,856,35X.X1	803,856,35X.X1
	S3D-9/7 with Sold-Out Lights	NA	NA	803,856,36X.X1
	S3D-12/9 without Sold-Out Lights	NA	NA	803,856,37X.X1
	S3D-12/9 with Sold-Out Lights	803,858,08X.X1	803,858,08X.X1	803,858,09X.X1
10	Labels			
	Press Selection to Display Price	903,835,15X.X1	903,835,15X.X1	903,835,15X.X1
	Press Selection to Display Price or Sold-Out	803,902,55X.X1	803,902,55X.X1	803,902,55X.X1
	4-Button Programming Space-to-Sales Options	803,849,04X.X1	803,849,04X.X1	803,849,04X.X1
	Price	903,828,82X.X1	903,828,82X.X1	903,828,82X.X1
	Coin Mech	903,901,30X.X1	903,901,30X.X1	903,901,30X.X1
	4 Button Programming	903,854,06X.X1	903,854,06X.X1	903,854,06X.X1
	Warning: Do Not Tilt	803,843,64X.X1	803,843,64X.X1	803,843,64X.X1
	134A Removable Substance	903,833,54X.X1	903,833,54X.X1	903,833,54X.X1
	Money Removed Daily	903,805,70X.X1	903,805,70X.X1	903,805,70X.X1
	Coke Validator Opening Instructions (Domestic)	803,822,94X.X1	803,822,94X.X1	803,822,94X.X1
	Power Disconnect	803,835,98X.X1	803,835,98X.X1	803,835,98X.X1
	Loading Instructions	903,837,07X.X1	903,837,07X.X1	903,837,07X.X1
	Package Set-Up Guide Domestic Coke	803,858,64X.X1	803,858,64X.X1	803,858,64X.X1

BATTERY (M4728-6R125H1)

804920 33001

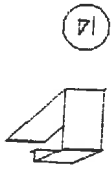
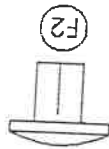
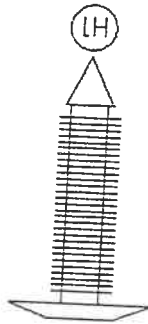
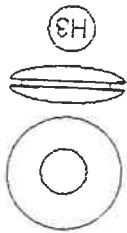
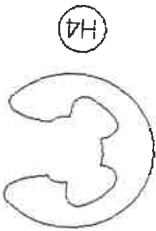
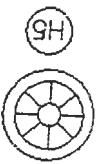
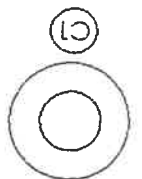
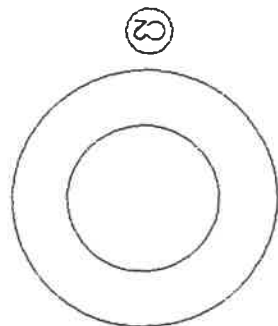
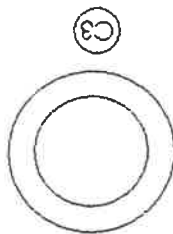
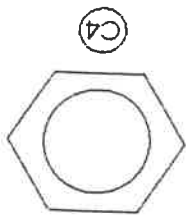
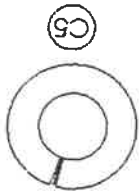
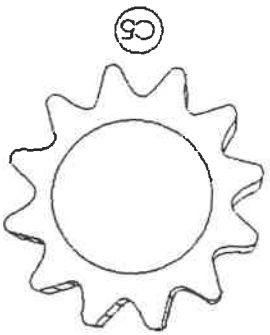
ITEM	DESCRIPTION	DNCB 600E	DNCB 501E	DNCB 276E
10	Gate - Caution	803,855,82x.x1	803,855,82x.x1	803,855,82x.x1
	Power Supply Cord Label	803,834,65x.x1	803,834,65x.x1	803,834,65x.x1
	Skid Removal	903,828,70x.x1	903,828,70x.x1	903,828,70x.x1
	S3D Caution / Fuse Label	803,857,06x.x1	803,857,06x.x1	803,857,06x.x1
	Coke Product Label	803,843,43x.x1	803,843,43x.x1	803,843,43x.x1
	Price Label	803,843,44x.x1	803,843,44x.x1	803,843,44x.x1
	Non SII Price Label VRV	803,836,16x.x1	803,836,16x.x1	803,836,16x.x1
	Coin Mechanism	903,901,29x.x1	903,901,29x.x1	903,901,29x.x1
	SIID Control Box Warning Label	803,848,28x.x1	803,848,28x.x1	803,848,28x.x1
	4 Button Programming	903,054,06x.x1	903,054,06x.x1	903,054,06x.x1
	Coke EVS Revision 2.2 - Landscape Programming	803,854,75x.x1	803,854,75x.x1	803,854,75x.x1
	Coke EVS Revision 2.2 - 13/9 Marketing Machine	803,854,76x.x1	803,854,76x.x1	803,854,76x.x1
	Programming	803,857,11x.x1	803,857,11x.x1	803,857,11x.x1
	Coke EVS Revision 2.2 - 9/9 Marketing Machine	803,854,77x.x1	803,854,77x.x1	803,854,77x.x1
	Programming	803,857,11x.x1	803,857,11x.x1	803,857,11x.x1
	Coke EVS Revision 2.2 - 9/7 Marketing Machine	803,856,29x.x1	803,856,29x.x1	803,856,29x.x1
	Programming	803,857,11x.x1	803,857,11x.x1	803,857,11x.x1
	Coke EVS Revision 2.2 - Select Button Layout	803,854,94x.x1	803,854,94x.x1	803,854,94x.x1
	Label - 9 Select	803,856,14x.x1	803,856,14x.x1	803,856,14x.x1
	Coke EVS Revision 2.2 - Select Button Layout	803,857,93x.x1	803,857,93x.x1	803,857,93x.x1
	Label - 13 Select	803,857,71x.x1	803,857,71x.x1	803,857,71x.x1
	Export Setup Label (exclude Canada & CCSB)	803,857,93x.x1	803,857,93x.x1	803,857,93x.x1
	Coke EVS Revision 2.2 (use with 390.91 and up) domestic	803,857,71x.x1	803,857,71x.x1	803,857,71x.x1
	Program Label - French Canadian 2.2	803,857,53x.x1	803,857,53x.x1	803,857,53x.x1
	Layout Label, 13 Select Button	803,856,14x.x1	803,856,14x.x1	803,856,14x.x1
	Layout Label, 9 Select Button	803,854,94x.x1	803,854,94x.x1	803,854,94x.x1
	Bill Validator Chart Label	803,858,11x.x1	803,858,11x.x1	803,858,11x.x1
11	Installation Set-Up Guide	903,901,60x.x1	903,901,60x.x1	903,901,60x.x1
12 A	Snap In Counter 24 VDC S3D Only	804,914,64x.x1	804,914,64x.x1	804,914,64x.x1
13	Override Switch Kit	804,914,09x.x4	804,914,09x.x4	804,914,09x.x4
10	Mercury Notice Label	803,860,56x.x1	803,860,56x.x1	803,860,56x.x1
12 B	Sump in counter mount	804,914,07x.x1	804,914,07x.x1	804,914,07x.x1
14	Control for battery S3D	804,920,330.01	804,920,330.01	804,920,330.01



SCREWS & NUTS

ITEM	PART NUMBER	PART NAME AND DESCRIPTION
A1	900,301,70x.x1	Screw, Phill Pan Swage Form #6 - 32 x 3/8"
A2	900,301,64x.x1	Screw, Phill Pan Swage Form w/washer #8 - 32 x 1/2"
A3	900,301,83x.x1	Screw, Phill Pan Swage Form #10 - 32 x 5/16"
A4	900,301,50x.x1	Screw, Phill Pan w/out washer, #8 - 18 x 1/2"
A5	900,301,97x.x1	Screw, Phill Pan Swage Form #8 - 32 x 1/4"
A6	900,300,47x.x1	Screw, Vend Motor, #4-24 x 3/4" Single Switch
A7	900,301,82x.x1	Screw, Vend Motor, #4-24 x 1 1/16" Double Switch
A8	900,301,61x.x1	Screw, Vend Motor, #4-24 x 1 1/2" Triple Switch
A9	900,301,56x.x1	Screw, Phill Pan Cutting #8 - 32 x 3/8"
A10	900,201,31x.x1	Screw, Machine, #6 - 32 x 1 1/4"
A11	900,301,97x.x1	Screw, Phill Pan Sems #8 - 32 x 1/4"
A12	900,301,85x.x1	Screw, Phill Thread Form #8 - 32 x 5/8"
A13	900,300,16x.x1	Screw, Phill Head Truss #6 x 3/8"
A14	900,301,81x.x1	Screw, Phill Pan Form #10 - 32 x 1 1/4"
A15	900,201,14x.x1	Screw, Machine Truss, #10 - 32 x 1/2"
A16	900,301,65x.x1	Screw, Phill Pan Sems with washer, #8 - 18 x 1/2"
A17	900,302,01x.x1	Screw, Self Tapping, 1/4 - 20 x 5/8"
A18	900,301,69x.x1	Screw, Hex Head Swage Form #8 - 36 x 3/8"
A19	900,901,51x.x1	Screw, Phill Pan Tapping #10 - 32 x 5/8"
A20	900,201,22x.x1	Screw, Machine Phill Pan #8 - 32 x 3/4"
A21	900,301,98x.x1	Screw, Phill Pan Shoulder #8 - 18 x 1/2"
A22	900,301,84x.x1	Screw, Phill Pan #8-18x1/2"
A23	900,500,26x.x1	Shoulder Screw 1/2" Long
A24	900,201,13x.x1	Screw, Hex Head
A25	900,301,73x.x1	Screw, Tap 1/4-20x1" Type F
A26	800,303,15x.x1	Screw, Phill Pan #8-18x3/4"
A27	800,303,18x.x1	Screw, Truss Type 23 #8-32x1/2
A28	900,301,94x.x1	Screw, Phill Flat 23B #10-32x1/2"
A29	900,201,44x.x1	Screw, Machine Brass #6-32x1/4"
A30	900,301,99x.x1	Screw, Plastic 8-hi/low x 1 1/4
A31	900,301,55x.x1	Screw, Phill Pan Swage Form #8-32x1/2"
A32	900,303,08x.x1	Screw, Hex Washer Type 1 #8-32x3/8"
A34	800,303,22x.x1	Screw, Phill Pan #6-20x3/8
A35	900,302,02x.x1	Screw, Self Tapping, #8-18x3/4
A36	900,201,86x.x1	Screw, Phill Pan Head #6-32x1/4"
B1	900,800,65x.x1	Keps Nut, #10 - 32
B2	900,800,67x.x1	Keps Nut, 1/4 - 20
B3	900,800,50x.x1	Keps Nut, #8 - 32
B4	900,800,69x.x1	Keps Nut, Top Door Hinge, 3/8 - 16
B5	900,800,85x.x1	Speed Nut
B6	900,800,49x.x1	Keps Nut, #6 - 32
B7	900,800,51x.x1	Elastic Stop Nut, #8 - 32
B8	900,800,81x.x1	Hex Nut 8-32
B9	900,902,37x.x1	Push Nut, Acorn Type
B10	900,801,02x.x1	Hex Nut 5/16-18

Part Numbers Subject To Change Without Notice.



WASHERS, BOLTS, & MISC. HARDWARE

ITEM	PART NUMBER	PART NAME AND DESCRIPTION
C1	900,700,60x.x1	Washer, Deltin .040 Thick 3/8"IDx5/8"OD
C2	901,303,77x.x1	Washer, Door Hinge
C3	All Styles	Washer, Flat #2949 (T-Handle)
C4	901,503,08x.x1	Washer, Hex #29-34 (T-Handle)
C5	900,700,36x.x1	Lockwasher, Split 3/8"
C6	900,700,89x.x1	Lockwasher, 18 Gauge (1/2"x3/16")
C7	900,700,02x.x1	Steel Washer, 18 Gauge (1/2"x3/16")
C8	900,700,62x.x1	Washer, Shakeproof (4610-16-01-0551)
C9	900,700,12x.x1	Washer, Flat .030 thick (.188"IDx5"OD)
C10	900,700,83x.x1	Washer, Flat 18 Gauge (17/64"IDx5/8"OD)
C11	900,700,08x.x1	Washer, Flat 14 Gauge (5/16"-3/8"x7/8")
C12	801,902,48x.x1	Nylon Spacer
D1	900,400,43x.x1	T-Bolt, #8 - 32 x 1" (obsolete)
D2	900,400,41x.x1	T-Bolt, #8 - 32 x 1 3/8"
D3	900,400,35x.x1	T-Bolt, #8 - 32 x 3/4"
D4	900,400,45x.x1	T-Bolt, #8 - 32 x 1/2"
E1	900,400,44x.x1	Refrigeration Bolt, 3/8 - 16 x 1"
E2	900,201,17x.x1	Carrage Bolt, 1/4 - 20 x 1"
E3	900,201,23x.x1	Carrage Bolt, 1/4 - 20 x 1 1/4"
E4	900,201,45x.x1	Carrage Bolt, 1/4 - 20 x 1/2"
E5	900,201,54x.x1	Carrage Bolt, 1/4 - 20 x 3/8"
E6	900,201,56x.x1	Carrage Bolt, 1/4 - 20 x 3/4"
E7	900,303,12x.x1	Carrage Bolt, 1/4-20x5/8" (obsolete)
E8	900,201,85x.x1	Carrage Bolt, 5/16x18x1 1/4" Top Hinge (drop in)
E9	800,303,19x.x1	Carrage Bolt, 1/4-20x5/8"
E10	900,202,04x.x1	Carrage Bolt 1/4-20x1/2 (Red)
F1	901,100,43x.x1	Pop Rivet, Aluminum 1/4"
F2	901,100,44x.x1	Drive Rivet, #38-108-06-13 1/4" dia.
F4	901,100,54x.x1	Pop Rivet, Black 1/8"
F5	901,100,61x.x1	Pop Rivet, Steel (Zinc Plated) 1/8"
F6	901,100,53x.x1	Pop Rivet, Aluminum 1/8"
F7	901,100,60x.x1	Pop Rivet, Steel (Zinc Plated) 3/16"
H1	900,902,13x.x1	Christmas Tree Clip #354280307-00
H2	900,901,89x.x1	Tinnerman Clip, Fan Shroud (C5207-014-3B)
H3	900,401,09x.x1	Grommet, Bk. Rubber #97
H4	901,503,07x.x1	E-Ring #31-30
H5	900,900,90x.x1	Retainer, Roller Pin
H6	900,902,18x.x1	Tinnerman Clip
H7	801,807,01x.x1	Hole Plug, Snap in - 1 1/4"
H8	901,806,77x.x1	Grommet, Admiral #B53351
H9	902,100,29x.x1	Silencer
I1	804,601,45x.x1	#6 Terminal Ring Crimp 16-14 AWG
I2	801,902,48x.x1	Nylon Spacer used on Coke D/O Boards
I3	801,809,12x.x1	Velcro Blocks

Part Numbers Subject To Change Without Notice.

ITEM	PART NUMBER	PART NAME AND DESCRIPTION
14	801,807,49x.x1	Vender Defender Clamp
15	901,901,89x.x1	Clamp, Cable 1" Heyco 3390
16	900,901,79x.x1	Clamp, Nylon 5/16" Black Heyco 3355 or Dennison 10159
17	900,901,80x.x1	Clamp, Nylon 1/2" Heyco 3328
18	901,901,06x.x1	Hand Tie, 5.5"
19	901,902,01x.x1	Wire Tie, 7 1/2"
110	901,901,00x.x1	Wire Ties, 4"
111	901,900,55x.x1	Clamp, Nylon 3/4" Heyco 3382BL
112	901,902,83x.x1	Cable Tie, 5.5"
113	900,902,14x.x1	Canoe Clip #254-090-301-00-0108

DIXIE-NARCO, INC.

ENGINEERING CHANGE NOTICE

EWI# N/A SHEET 1 OF 1

ECN#: 99-007-042 DATE: 10/3/99

SERVICE AFFECTED: Y N

PROJECT ENGR: DAWN JOHNSTON

DRAWING AFFECTED: Y N

CHANGE DESCRIPTION / REASON

DRAFTSMAN: DMJ


THIS ECN RELEASES A PART NUMBER AND DRAWING FOR A FILTER, EMI, POWER LINE 6A SINGLE PHASE. THIS FILTER IS BEING RELEASED INITIALLY FOR USE WITH THE EXPORT MARKETING DOOR WITH ELECTRONIC BALLAST. ACTUAL USAGE WILL BE SPECIFIED ON SUBSEQUENT ECNS.


CUSTOMER NOTIFICATION
REQUIRED Y N


SENT: _____
RECEIVED: _____


NEW Y N	PART NUMBER	PART NAME	CHANGE DESCRIPTION / MODEL AFFECTED	PURCHASED PART INFO / MATERIAL DISPOSITION	
	C 804,914,920.01	FILTER, EMI, POWER LINE 6A SINGLE PHASE	RELEASE PART NUMBER AND DRAWING	COM CODE: 005031 MAT'L DISP: NA	V: _____ B: _____ U/M: EACH RC _____ RW _____ EFF DATE: _____ V: _____ B: _____ U/M: _____
	D 609,021,500.43	ASSY, TRANSFORMER PLATE IEC CW	ADDED FILTER MOUNTING	COM CODE: _____ MAT'L DISP: NA	V: _____ B: _____ U/M: _____ RC _____ RW _____ EFF DATE: _____ V: _____ B: _____ U/M: _____
	C 609,050,150.23	TRANSFORMER PLATE "E" EXTENDED BASE BOX	ADDED DETAILED INFORMATION TO ACCOMMODATE ADDITION OF FILTER	COM CODE: _____ MAT'L DISP: NA	V: _____ B: _____ U/M: _____ RC _____ RW _____ EFF DATE: _____ V: _____ B: _____ U/M: _____
	A 804,914,960.01	LEAD - GROUND, EMI FILTER EXPORT 2145	RELEASE PART NUMBER AND DRAWING	COM CODE: _____ MAT'L DISP: NA	V: _____ B: _____ U/M: _____ RC _____ RW _____ EFF DATE: _____ V: _____ B: _____ U/M: _____
				COM CODE: _____ MAT'L DISP: NA	V: _____ B: _____ U/M: _____ RC _____ RW _____ EFF DATE: _____ V: _____ B: _____ U/M: _____
				COM CODE: _____ MAT'L DISP: NA	V: _____ B: _____ U/M: _____ RC _____ RW _____ EFF DATE: _____ V: _____ B: _____ U/M: _____
				COM CODE: _____ MAT'L DISP: NA	V: _____ B: _____ U/M: _____ RC _____ RW _____ EFF DATE: _____ V: _____ B: _____ U/M: _____
				COM CODE: _____ MAT'L DISP: NA	V: _____ B: _____ U/M: _____ RC _____ RW _____ EFF DATE: _____ V: _____ B: _____ U/M: _____
				COM CODE: _____ MAT'L DISP: NA	V: _____ B: _____ U/M: _____ RC _____ RW _____ EFF DATE: _____ V: _____ B: _____ U/M: _____
				COM CODE: _____ MAT'L DISP: NA	V: _____ B: _____ U/M: _____ RC _____ RW _____ EFF DATE: _____ V: _____ B: _____ U/M: _____
				COM CODE: _____ MAT'L DISP: NA	V: _____ B: _____ U/M: _____ RC _____ RW _____ EFF DATE: _____ V: _____ B: _____ U/M: _____
				COM CODE: _____ MAT'L DISP: NA	V: _____ B: _____ U/M: _____ RC _____ RW _____ EFF DATE: _____ V: _____ B: _____ U/M: _____


APPROVALS


PROJ ENGR ENGR 

MFG PURCH 

QUALITY REG 

T SVCS MFG ENGR 

B/M MATLS 

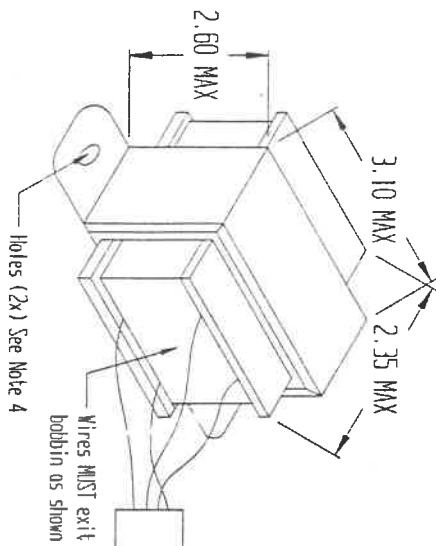
SVC PRTS FINANCE 

SALES OTHER

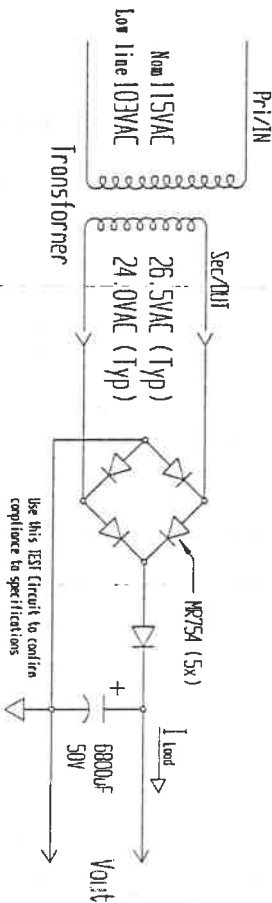
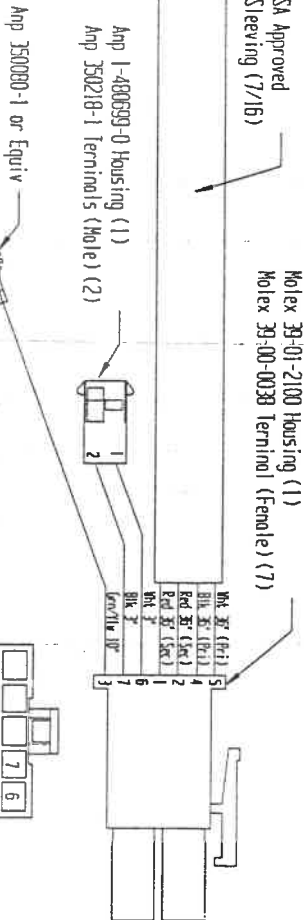
SPECIAL COPY: MIKE KRANENBERG

DATE DISTRIBUTED: 11/2/99

- NOTES:
1. Cartons MUST be marked with: The Dixie Narco number, the recognition and CSA cert. markings and quantity of parts enclosed.
 2. Individual parts must be marked to identify parts and operator.
 3. All harness wire is 18AWG/600V/105C ANW-031 Insulation
 4. Mounting holes on 3.55 centers.



UL CSA Approved
PVC Sleeving (7/16)



SPECIFICATIONS
 $V_{in} = 100VAC$, $I_{load} = 4A$: $V_{out} = 20VDC$ Min with 2Vpp MAX Ripple
 (20 % Duty Cycle, 10 Sec. MAX On Time)
 $V_{in} = 140VAC$, $I_{load} = 0$: $V_{out} = 45VDC$ MAX

REV.	DATE	BY	ENG.	ECN NO.
0.2	01-27-99	KLG		98-094-076
DESCRIPTION				
CHANGED TITLE TO "2D/S3D"; DELETED DECIMAL TOLERANCES				
REV.	DATE	BY	ENG.	ECN NO.
0.1	02-28-97	A.S.		97-024-005
DESCRIPTION				
ADDED: VAF PART #				
REV.	DATE	BY	ENG.	ECN NO.
0.0	02/03/97	A.S.		97-024-001
DESCRIPTION				
RELEASED				

SCALE: NONE; PLOT 1:1

Dixie-Narco

REV. 1.6 DATE 5/8/94
 DWG. NO. B 804 912 80.21
 TITLE: ASSY TRANSFORMER, 2D/S3D - V4
 36"

DO NOT SCALE THIS DRAWING

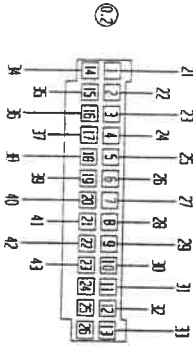
BOLD border is position one

W&F Transformer - P/N D31P27

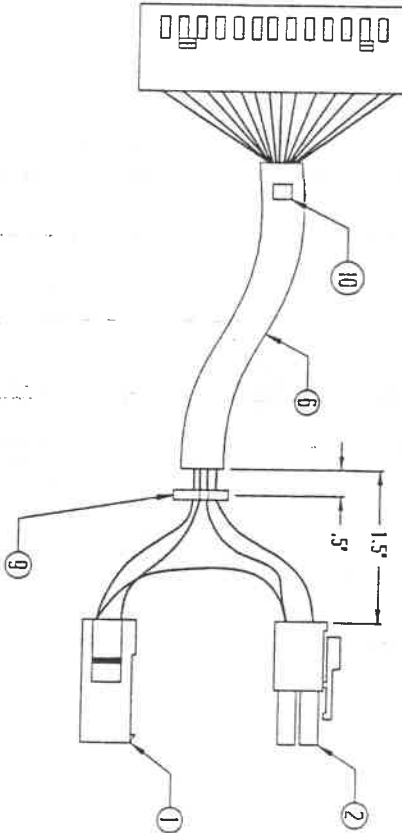
Approved Sources)

- NOTE:
1. ALL DIMENSIONS NOT SHOWN ARE TO BE DETERMINED BY WIRE LENGTH.
 2. SEE DRAWING 3-SFC-004 FOR GENERAL ELECTRICAL SPECIFICATIONS.
 3. THIS HARNESS SHOULD SPECIFY HARNESS AND OPERATOR IDENTIFICATION LABEL USING DIXIE-MARCO M9280 21.
 4. WIRE MUST BE UL RECOGNIZED & CSA CERTIFIED 22 GA. STRANDED AWG 300V 105°C, 1/64 INCH, VW-1. AN ALTERNATIVE TO 3-180-404 IS 3-180-365.
 5. VINYL TUBING MUST BE UL RECOGNIZED & CSA CERTIFIED 600V-105°C, VW-1, 1/32 WALL THICKNESS, 3/4" DIA. TUBING MAY BE USED AS AN ALTERNATE.
 6. CARB. PULSES AND SOCKETS ARE VIEWED FROM TERMINAL INSERTION SIDE, I, NUMBER ONE IS ALWAYS AT RIB ON CASE AS SHOWN.

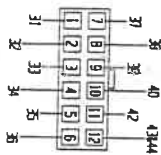
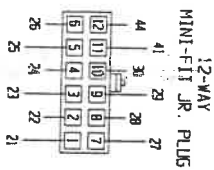
WIRE CUTTING SCHEDULE			
WIRE NO.	LIH.	WIRE NO.	LIH.
21	9"	34	9"
22	9"	35	9"
23	9"	36	9"
24	9"	37	9"
25	9"	38	9"
26	9"	39	9"
27	9"	40	9"
28	9"	41	9"
29	9"	42	9"
30	9"	43	9"
31	9"	44	9"
32	9"		
33	9"		



REF. A



REF. B



12-WAY
MINI-FIT JR. CAP

REF.	WIRE	TERMINAL	HOLDING	LOCATION OF TERMINAL
A	21, 22, 23, 24, 25	87203-9 (23)	2-89531-2 (11)	SEE REF. 'A'
	26, 27, 28, 29, 30			
	31, 32, 33, 34, 35			
	36, 37, 38, 39, 40			
	41, 42, 43			
B	21, 22, 23, 24, 25	39-00-0038 (12)	39-01-2120 (11)	
	26, 27, 28, 29, 30			
	41, 44			
	31, 32, 33, 34, 35	39-00-0040 (12)	39-01-3123 (11)	SEE REF. 'B'
36, 37, 38, 39, 40				
42, 43, 44				



REV.	DATE	BY	CHK.	APP.
0.1	01-26-99	WLD	91-04-076	
0.2	02-25-99	WLD	91-04-076	

DESIGNED TITLE NO. 320/S30
RELEASED DETAIL TO BRANCHES ONLY

REV.	DATE	BY	CHK.	APP.
0.1	08-05-94	BEJ	94-241-18	
0.2	09-16-94	SPF	94-241-18	

REVISIONS
CORRECTED DIMENSION OF 26 PLS.
APP CORRECTOR.

NO.	QTY	DESCRIPTION	UNIT	PRICE	TOTAL
10	901	815 270 01	1		
9	1	WIRE LIFE			
8	1	AMP 26 PLS. COMPLETE			
7	21	MINI-FIT JR. PLUS			
6	501	500 900 01			
5	205	27 WIRE VIB			
4	12	MINI-FIT JR. PLUS			
3	12	MINI-FIT JR. PLUS			
2	1	12 WAY MINI-FIT JR. PLUS			
1	1	12 WAY MINI-FIT JR. PLUS			

9-005530

REVISED 4-97
MIL-S-147

DATE: 06/23/94

TIME: 13

320/S30 - 90° CABINET
EXTENSION HARNESS

Dixie-Narco

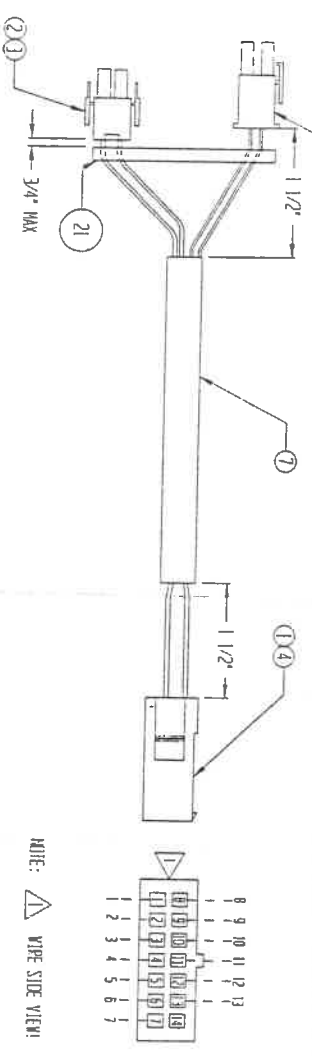
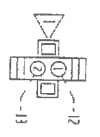
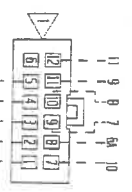
DATE: 06/23/94

TIME: 13

320/S30 - 90° CABINET
EXTENSION HARNESS

NO. 8 804, 909, 230, 31

- NOTES:
1. SAMPLES MUST BE APPROVED BY DIXIE-MARCO ENGINEERING BEFORE START OF PRODUCTION.
 2. ALL MATERIALS MUST BE UL RECOGNIZED & CSA-UL CERTIFIED.
 3. CARTONS MUST BE MARKED WITH THE SUPPLIER NAME, DIXIE-MARCO PART NUMBER, UL & CSA-C-UL RECOGNITION MARKINGS AND QUANTITY OF PARTS ENCLOSED.
 4. ALL WIRE LENGTHS ARE DETERMINED BY DIMENSIONS.
 5. 18 AWG WIRE MUST BE UL RECOGNIZED AND CSA CERT.
 6. INDIVIDUAL PARTS MUST BE MARKED TO IDENTIFY HARNESS AND OPERATOR.



ITEM	MARKING NO.	REFERENCE	DESCRIPTIONS	LTN	QTY	FRM	CORRECTIONS
1	0-60650	MOLEX #39-00-0340	TERMINAL (FEMALE)	76	1	ITEM #4, PIN #1	ITEM #5, PIN #5
2	9-12346	AMP 305036-3	TERMINAL (FEMALE)	76	1	ITEM #4, PIN #2	ITEM #5, PIN #1
3	0-60152	AMP 1-400098-0	MALE-D-CK (2) POSITION PLUG	76	1	ITEM #4, PIN #3	ITEM #5, PIN #4
4	0-60552	MOLEX #39-01-3143	MINI-SLT R. (14) POSITION CAP	76	1	ITEM #4, PIN #4	ITEM #5, PIN #2
5	0-60022	MOLEX #39-00-0038	TERMINAL (FEMALE)	76	1	ITEM #4, PIN #5	ITEM #5, PIN #3
6	0-60023	MOLEX #39-01-2120	MINI-SL FIT (12) POSITION PLUG	76	1	ITEM #4, PIN #6	ITEM #5, PIN #8
7	3-100-364		WIRE (BUNA) (7/8" DIA.)	76	1	ITEM #4, PIN #7	ITEM #5, PIN #9
8	3-100-360		#18 GA. WHITE WIRE #1	76	1	ITEM #4, PIN #8	ITEM #5, PIN #10
9	3-100-360		#18 GA. WHITE WIRE #2	76	1	ITEM #4, PIN #9	ITEM #5, PIN #11
10	3-100-360		#18 GA. WHITE WIRE #3	76	1	ITEM #4, PIN #10	ITEM #5, PIN #12
11	3-100-360		#18 GA. WHITE WIRE #4	76	1	ITEM #4, PIN #11	ITEM #5, PIN #7
12	3-100-360		#18 GA. WHITE WIRE #5	76	1	ITEM #4, PIN #12	ITEM #5, PIN #11
13	3-100-360		#18 GA. WHITE WIRE #6A	76	1	ITEM #4, PIN #13	ITEM #5, PIN #12
14	3-100-360		#18 GA. WHITE WIRE #7	76	1	ITEM #4, PIN #13	ITEM #5, PIN #12
15	3-100-360		#18 GA. WHITE WIRE #8	76	1	ITEM #4, PIN #13	ITEM #5, PIN #12
16	3-100-360		#18 GA. WHITE WIRE #9	76	1	ITEM #4, PIN #13	ITEM #5, PIN #12
17	3-100-360		#18 GA. WHITE WIRE #10	76	1	ITEM #4, PIN #13	ITEM #5, PIN #12
18	3-100-360		#18 GA. WHITE WIRE #11	76	1	ITEM #4, PIN #13	ITEM #5, PIN #12
19	3-100-360		#18 GA. WHITE WIRE #12	76	1	ITEM #4, PIN #13	ITEM #5, PIN #12
20	3-100-360		#18 GA. WHITE WIRE #13	76	1	ITEM #4, PIN #13	ITEM #5, PIN #12
21			WIRE TIE	76	1		

NOTE: THIS HARNESS SHOULD SPECIFY HARNESS AND OPERATOR IDENTIFICATION LABEL USING DIXIE-MARCO #8200 01.
ELECTRICAL SPECIFICATIONS
NOTE: 3 100-246 OR 3 100-300 HARNESS USED AS AN ALTERNATE TO 3 100-300.

REV.	DATE	BY	ECN NO.
0.5	01-25-99	KLG	98-094-076
DESCRIPTION: CHANGED TITLE TO "S2D/S3D"; DELETED DECIMAL TOLERANCES; CORRECTED REV. 4 DESCRIPTION; CORRECTED PICTORIAL DIMENSIONS			
0.4	10/20/98	KLG	98-022-117
DESCRIPTION: CHANGED ITEM #7 FROM 68" TO 73"; CHANGED WIRE LENGTHS FROM 73" TO 76"			
0.3	07/23/98	KLG	98-094-049
DESCRIPTION: ADDED 2" TO ITEM #8-120			
0.2	07/20/98	KLG	98-094-048
DESCRIPTION: CHANGED ITEM #7 TO 68"			
0.1	02/15/98	KLG	98-094-045
DESCRIPTION: ADDED A TIE WIRE 3/4" MAX. TOL.			
0.0	06-21-98	KLG	98-094-007
DESCRIPTION: RELEASED.			

SCALE: NONE	FRCTIONS 1/16"	DWG. NO.	DATE
		016	05/26/98
		CHK. BY	05/26/98

Dixie-Marco

S2D/S3D - 76" MOTOR
EXTENSION & PINNER HARNESS

DWG. NO. B 804.913.950.51



COKE MARKETING MACHINES VALIDATOR APPLICATION

Listed are validators and the suggested number of spacers (624,050,84x.x3) needed for installation. These are the available validators at Dixie-Narco that we can provide information for.

Validator (MDB Only)	# of Spacers 624,050,84x.x3	Gasket 902,001,11x.x1	Notes
Mars Series 2000	2	3	-
Coinco BA30	1	2	-
Ardac USA	2	3	-
Conlux MKA Series	4	5	This validator will only work with venter models (serialized 0001-6521 and higher) with the long perm studs.
Conlux NBM-3110	2	3	-
Conlux MKA-2141-12	4	5	This validator will only work with venter models (serialized 0001-6521 and higher) with the long perm studs.
Conlux NBU-21A1-12	4	5	This validator will only work with venter models (serialized 0001-6521 and higher) with the long perm studs.

8x5